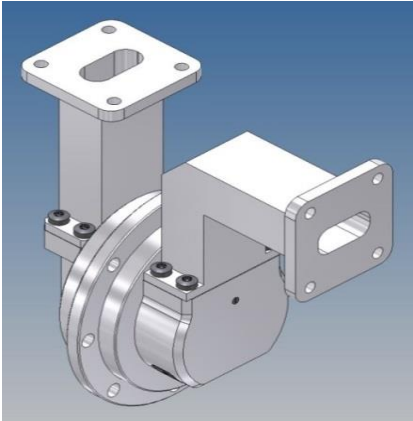


Rotary Joint || BN 635717



Radio frequency characteristics

| | |
|--|--|
| Interface type / material / surface finish | UBR 120 (IEC 154) / aluminum alloy / chromated |
| Interface orientation | style L |
| Frequency range | 14 to 14.5 GHz |
| Peak power capability | 5 kW |
| Average power capability | 750 W |
| VSWR, max. | 1.2 (typ. 1.15) |
| VSWR variation over rotation, max. | 0.08 /typ. 0.03) |
| Insertion loss, max. | 0.2 dB (typ. 0.1 dB) |
| Insertion loss variation over rotation, max. | 0.1 dB (typ. 0.02 dB) |
| Phase variation over rotation, max. | 2 deg. |

Conditions:

Operating altitude max. 2.000 m

Rotary Joint || BN 635717

Mechanical characteristics

| | |
|--|--|
| Differential operating pressure, nominal | - |
| Leakage rate, max. | - cm ³ /minute @ nominal differential pressure |
| Rotating speed, max. / nominal | 300 / 200 rpm |
| Life, min. | 200 x 10 ⁶ revolutions |
| Torque (room / min. temperature), max. | 0.2 Nm / - @ start-up 0.2 Nm / - @ rotation |
| Interface loads, max. | ±15 N in axial direction ±15 N in radial direction |
| Case material | aluminum alloy |
| Case surface finish | chromate conversion coat per MIL-DTL-5541 type 1 or type 2 |
| IP protection level | IP40 |
| Weight, approx. | 0.43 kg |
| Marking | adhesive label |

Environmental conditions

| | |
|---------------------------|----------------------|
| Operation | |
| Ambient temperature range | -40 to +80°C |
| Relative humidity, max. | 95% (non-condensing) |
| Storage | |
| Ambient temperature range | -55 to +85°C |
| Relative humidity, max. | 95% (non-condensing) |

Applicable Documents

| | |
|-----------------------|---|
| Drawing | 635717-0E Issue C |
| Technical information | "Rotary Joints – Glossary", Technical Document TD-00021, Spinner GmbH |