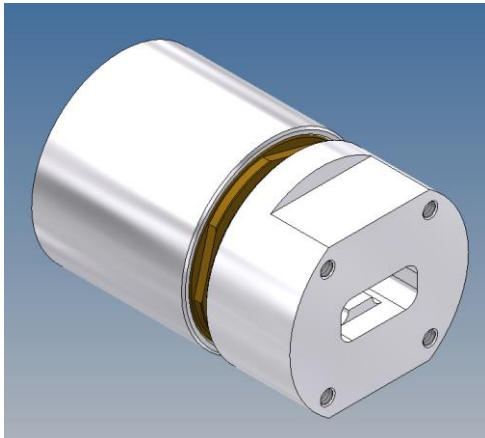


Rotary Joint || BN 635734



Outline and dimensions as per drawing 635734-0E

Radio frequency channel characteristics

Channel designation	Channel 1
Interface type / material / surface finish	Compatible with PBR120/ UBR120 (IEC-154), threads M4 aluminum alloy
Interface orientation	Style I
Frequency range	10.75 GHz to 14.50 GHz
Peak power capability	14 kW *)
Average power capability	800 W
VSWR, max.	1.3 @ 10.75 to 12.25 GHz 1.2 @ 12.25 to 14.50 GHz
VSWR variation over rotation, max. / typ.	0.1 / 0.05
Insertion loss, max. / typ.	0.2 dB / 0.1 dB
Insertion loss variation over rotation, max. / typ.	0.05 dB / 0.02 dB

*) Condition: - Operating altitude if not pressurized, max. 0 m

General mechanical data

Rotating speed, max.	150 rpm
Life, min.	20 x 10 ⁶ revolutions
Torque (room temperature), max.	0.20 Nm
Case material	Aluminum alloy
Case surface finish	none
Weight, approx.	0.3 kg
Marking	Adhesive label

Rotary Joint || BN 635734

General environmental conditions

Operation	
Ambient temperature range	-40 to +71°C
Relative humidity, max.	95% (non-condensing)
IP protection level	IP65 per EN 60529 (all interfaces mated with sealed flanges)
Storage	
Ambient temperature range	-55 to +85°C
Relative humidity, max.	95% (non-condensing)

Applicable documents

Drawing	635734-0E, Issue D
Technical information	"Rotary Joints – Glossary", Technical Document TD-00021, Spinner GmbH