

Rotary Joint || BN 636295



**Radio frequency characteristics**

Waveguide interface aperture	R 900 per IEC 60153-2 (WR 10 per EIA RS-261, WM-2540 per IEEE Std 1785.1)		
Waveguide interface connector	plane split-block interface; compatible to M3922/67-010 (UG-387/U-mod) type flanges		
Interface orientation	style L		
Frequency range	94±1 GHz	94±2 GHz	94±3 GHz
Peak power capability	1.1 kW @ sea level 250 W @ 3000 m *)	1.1 kW @ sea level 250 W @ 3000 m *)	1.1 kW @ sea level 250 W @ 3000 m *)
Average power capability	10 W	10 W	10 W
VSWR, max.	1.3	1.5	2.0
VSWR variation over rotation, max.	0.2	0.3	0.3
Insertion loss, max.	0.7 dB	0.8 dB	1.2 dB
Insertion loss variation over rotation, max.	0.1 dB	0.2 dB	0.3 dB
Phase variation over rotation, max.	6 deg.	10 deg.	10 deg.

\* Conditions: - Load VSWR, max. 2

**Mechanical characteristics**

Rotating speed, max.	5000 rpm
Life, min.	200 x 10 <sup>6</sup> revolutions
Torque (room temperature), max.	0.2 Nm @ start-up 0.2 Nm @ rotation
Interface loads, max.	±10 N in axial direction ±10 N in radial direction
Case material	copper alloy
Case surface finish	gold plated
IP protection level	IP40 per EN 60529 (all interfaces connected)
Weight, approx.	0.27 kg
Marking	adhesive label

Template TD-00002U

Rotary Joint || BN 636295

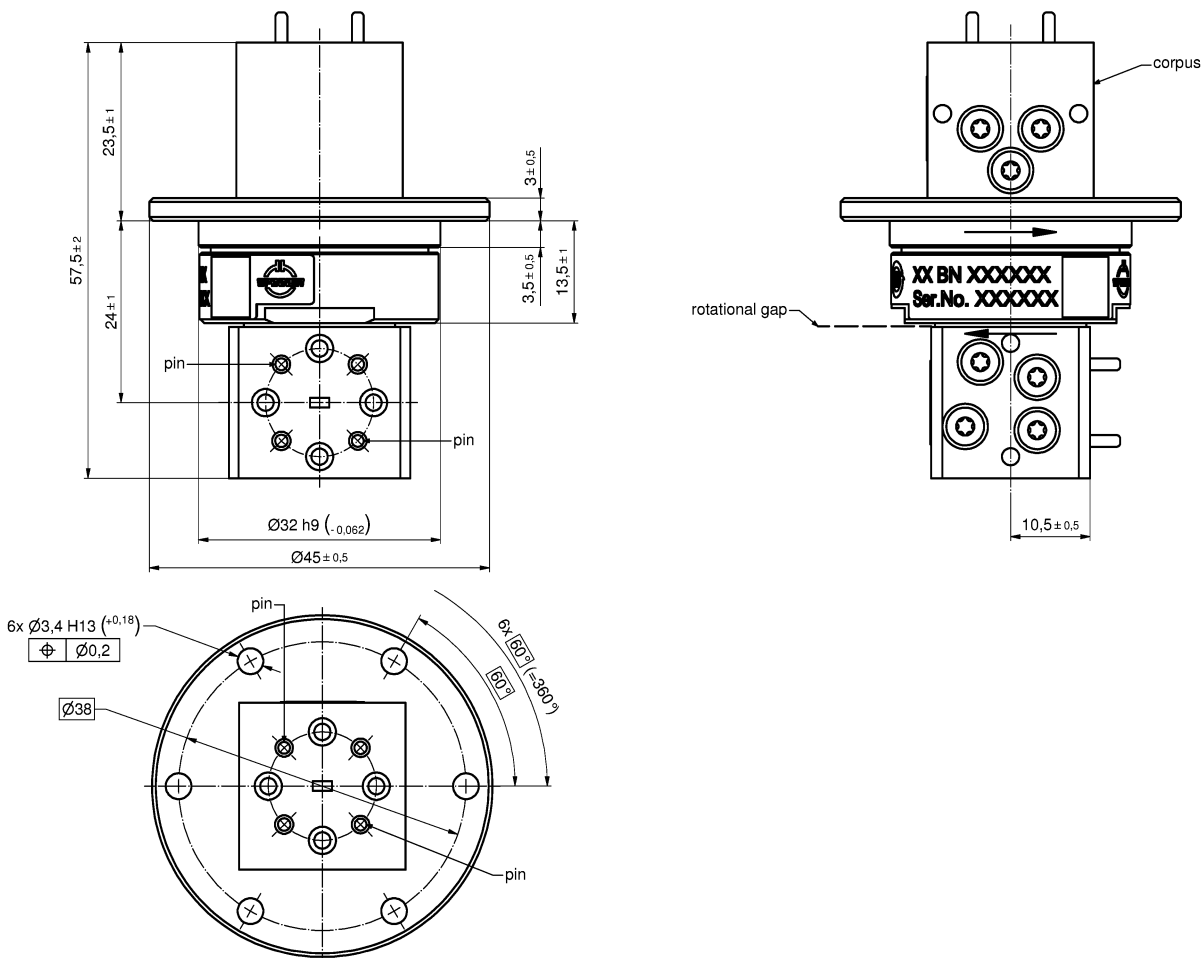
Environmental conditions

<b>Operation</b>	
Ambient temperature range	-40 to +71°C
Relative humidity, max.	95% (non condensing)
IP protection level	IP40 per EN 60529 (all interfaces connected)
<b>Storage</b>	
Ambient temperature range	-55 to +71°C
Relative humidity, max.	95% (non condensing)

Applicable documents

Technical information	"Rotary Joints – Glossary", Technical Document TD-00021, Spinner GmbH
-----------------------	---

Outline (all dimensions in millimeter)



Rotary Joint || BN 636295

Typical VSWR response

