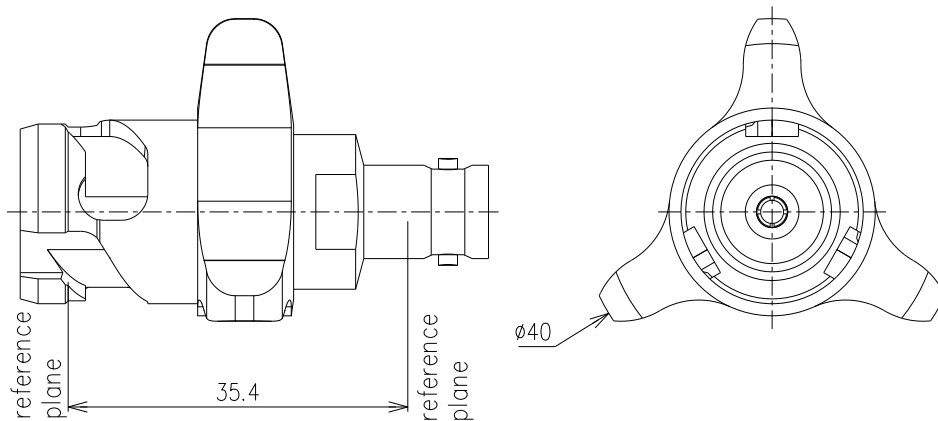


INTERSERIES ADAPTOR-TYPE 4-11



Part number	BN 65 50 05	
Connector type	4-11 socket / BNC socket	
Impedance	50 Ω	
Frequency range	0 - 1 GHz	
VSWR	≤ 1.15	
Material and surface		
Inner conductor	copper alloy	gold-plated
Outer conductor	copper alloy	silver-plated
Other metal parts	copper alloy	silver-plated
Insulation	PTFE	
Sealing	silicone rubber	
Degree of protection	IP68	
Standards	DIN 47236, IEC 61169-8	
Weight	approx. 0.07 kg	