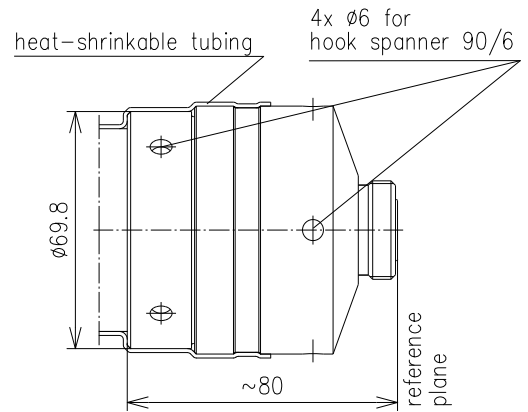


CABLE SOCKET FOR LF 2 1/4"-50-TYPE 7-16



| | | | |
|---------------------------|--|--------------------------|-----------------|
| Part number | BN 65 56 63 | | |
| Connector type | 7-16 socket | | |
| Version | CAF® | | |
| Impedance | 50 Ω | | |
| Frequency range | 0 - 1 GHz | ≤ 1 - 1.5 GHz | ≤ 1.5 - 2.2 GHz |
| VSWR | ≤ 1.02 | ≤ 1.04 | ≤ 1.06 |
| Material and surface | | | |
| Inner conductor | copper alloy | silver-plated | |
| Outer conductor | copper alloy | silver-plated | |
| Other metal parts | copper alloy | bright nickel-plated | |
| Insulation | PTFE | | |
| Sealing | silicone rubber, heat-shrinkable adhesive tubing | | |
| Degree of protection | IP68 (mated) | | |
| Cable compatibility | RFS | LCF 214-50, LCF 214-50 A | |
| Standards | IEC 61169-4 | | |
| Installation instructions | M30708 | | |
| Weight | approx. 1 kg | | |
| Included in delivery | sealing, installation instructions | | |