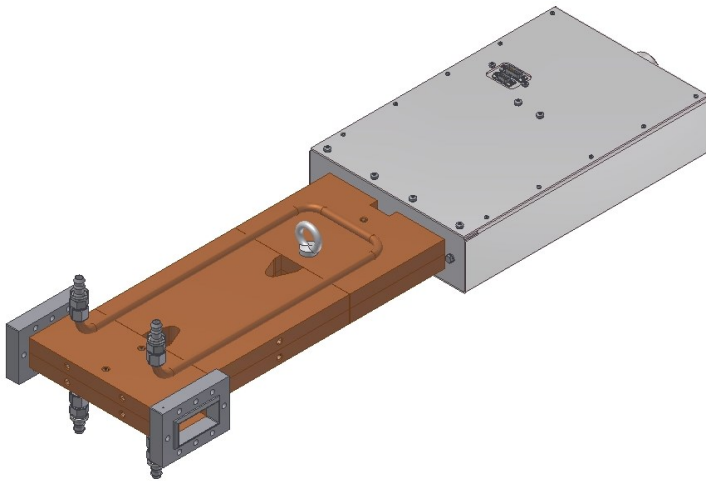


R32 phase shifter || BN 661919



Radio frequency characteristics

Interface type / material / surface finish	4x R32 LIL / stainless steel / copper plated
Frequency range	2.998 GHz ± 10 MHz
Peak power capability, max.	45 MW*
VSWR, max. / typ.	1.10 / 1.05
Insertion loss, typ.	0.1 dB
Phase Shifter Range	±200°
Setting accuracy	0.1°

- * Conditions:
- waveguide evacuated to absolute pressure, max. $1 \cdot 10^{-4}$ Pa ($1 \cdot 10^{-6}$ mbar)
 - Temperature of waveguide, max. 40 °C
 - Load VSWR, max. ∞
 - Pulse width, max. 15 μs
 - Pulse repetition rate, max. 20 Hz

General mechanical data

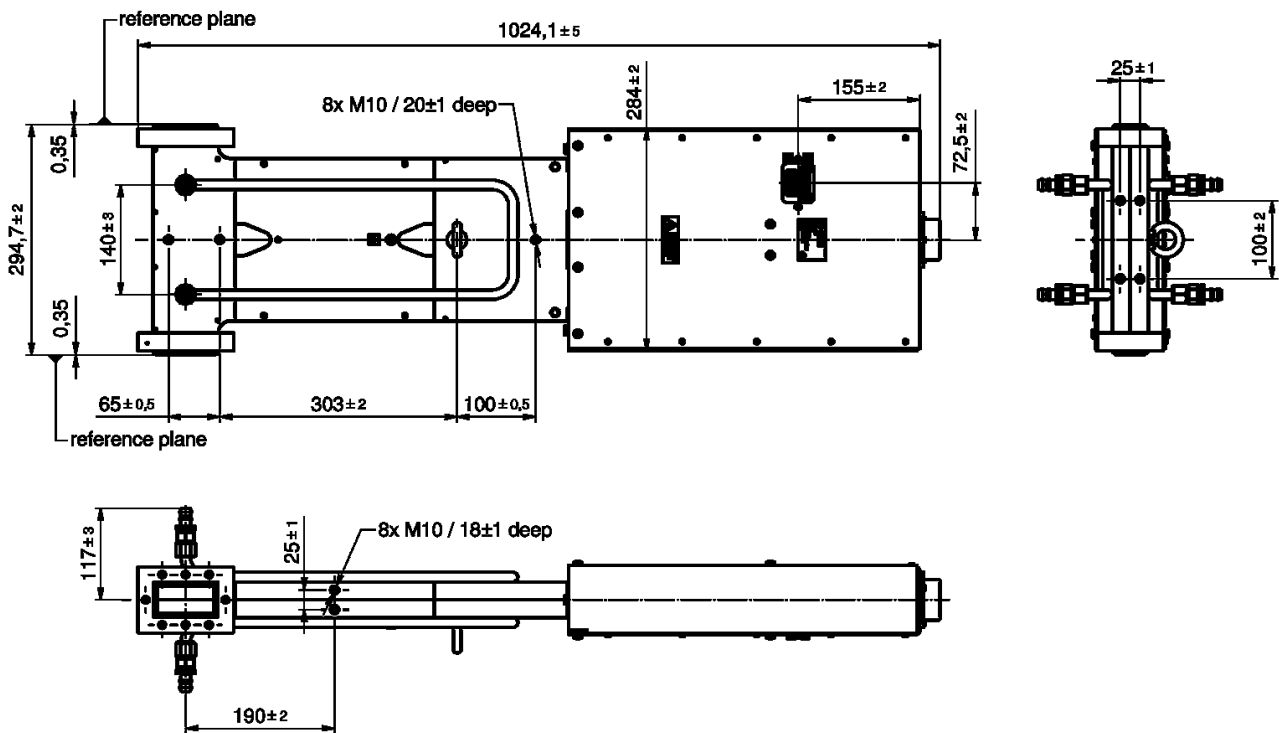
Leakage rate, max.	$1 \cdot 10^{-10}$ Pa·m ³ /s ($1 \cdot 10^{-9}$ mbar·l/s)
Case material	aluminum alloy
Case surface finish	no finish
Waveguide material	OFHC Copper
Waveguide surface finish	Painted on request
Position feedback	potentiometric position transducers
Interface for stepper motor	D-subminiature: DE9M
Interface for limit switches and linear potentiometer	D-subminiature: DA15M
Interface cooling loop	Swagelok Push-On compatible for hose DN ½"
Absolute operating pressure cooling loop, max.	1×10^6 Pa (10 bar)
Marking	adhesive label
Bakeable to	170 °C (waveguide part only, if selected without painting)
Weight, approx.	45 kg

R32 phase shifter || BN 661919

General environmental conditions

Operation	
Ambient temperature range	+10 to +50 °C
Relative humidity, max.	95% (condensation not permitted)
IP protection level	IP40 per EN 60529 (all interfaces connected with appropriate gaskets)
Storage	
Ambient temperature range	-20 to +50 °C
Relative humidity, max.	95% (condensation not permitted)

Outline and dimensions (all dimensions in millimeters)



R32 phase shifter || BN 661919

