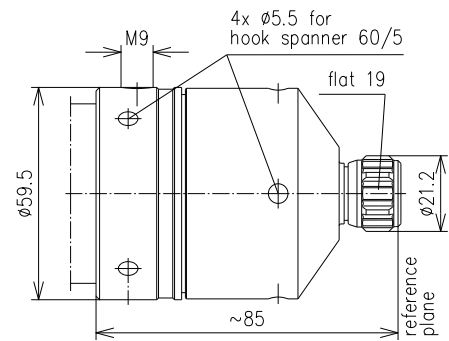


CABLE PLUG FOR LF 1 5/8"-50-TYPE N



<b>Part number</b>	<b>BN 70 67 44</b>		
Connector type	N plug		
Version	CAF®		
Impedance	50 Ω		
Frequency range	0 - 1 GHz	≤ 1 - 2.2 GHz	≤ 2.2 - 2.75 GHz
VSWR	≤ 1.02	≤ 1.03	≤ 1.06
Material and surface			
Inner conductor	copper alloy	silver-plated	
Outer conductor	copper alloy	silver-plated	
Other metal parts	copper alloy	silver-plated	
Insulation	PTFE		
Sealing	silicone rubber, PLAST 2000®		
Degree of protection	IP68 (mated)		
Cable compatibility	RFS	LCF 158-50 A	
Standards	IEC 61169-16		
Weight	approx. 0.57 kg		
Installation instructions	M30798		
Included in delivery	cover, installation instructions		