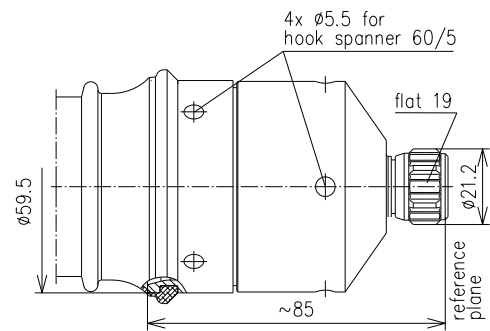


CABLE PLUG FOR LF 1 5/8"-50-TYPE N



Part number	BN 70 67 60		
Connector type	N plug		
Version	TOPSPIN®		
Impedance	50 Ω		
Frequency range	0 - 1 GHz	≤ 1 - 2.2 GHz	≤ 2.2 - 2.75 GHz
VSWR	≤ 1.02	≤ 1.03	≤ 1.06
Material and surface			
Inner conductor	copper alloy	silver-plated	
Outer conductor	copper alloy	CuSnZn-plated	
Other metal parts	copper alloy copper alloy copper alloy	tin-plated CuSnZn-plated bright nickel-plated	
Insulation	PTFE		
Sealing	silicone rubber		
Degree of protection	IP68 (mated)		
Cable compatibility	RFS	LCF 158-50 A, LCF 158-50 L	
Standards	IEC 61169-16		
Weight	approx. 0.57 kg		
Installation instructions	M32098		
Included in delivery	sealing, installation instructions		