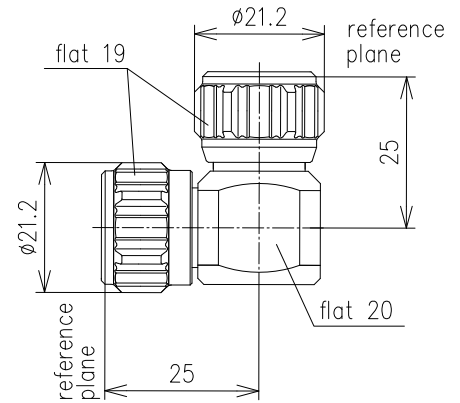


RIGHT ANGLE ADAPTOR TYPE N



| | | | | |
|----------------------|--------------------|-------------|----------------------|-------------|
| Part number | BN 70 82 50 | | | |
| Connector type | N plug / N plug | | | |
| Impedance | 50 Ω | | | |
| Frequency range | 0 - 0.5 GHz | 0.5 - 4 GHz | 4 - 9 GHz | 9 - 11 GHz |
| VSWR | ≤ 1.04 | ≤ 1.13 | ≤ 1.22 | ≤ 1.35 |
| Material and surface | | | | |
| Inner conductor | copper alloy | | gold-plated | |
| Outer conductor | copper alloy | | silver-plated | |
| Other metal parts | copper alloy | | bright nickel-plated | |
| Insulation | PTFE | | | |
| Sealing | silicone rubber | | | |
| Degree of protection | IP68 (mated) | | | |
| Standards | IEC 61169-16 | | | |
| Weight | approx. 0.11 kg | | | |