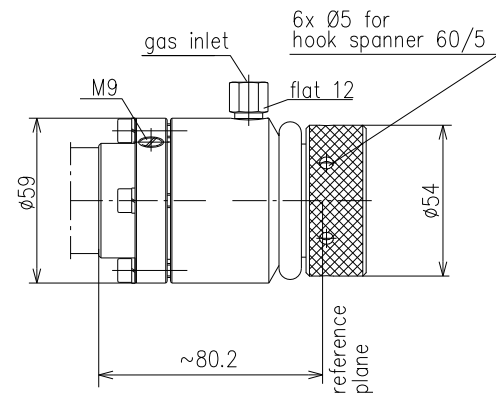


CABLE PLUG FOR AIR DIELECTRIC CABLE 1 1/8"-TYPE 13-30



<b>Part number</b>	<b>BN 71 19 08</b>	
Connector type	13-30 plug	
Impedance	50 Ω	
Frequency range	0 - 1 GHz	1 - 2.7 GHz
VSWR	≤ 1.02	≤ 1.05
Material and surface		
Inner conductor	copper alloy	silver-plated
Outer conductor	copper alloy	silver-plated
Other metal parts	copper alloy stainless steel	bright nickel-plated
Insulation	PTFE	
Sealing	silicone rubber, copper, PLAST 2000®	
Degree of protection	IP68 (pressure-tight up to 4bar/400kPa)	
Cable compatibility	RFS	HCA 118-50
Standards	IEC 60169-5	
Installation instructions	M30311	
Weight	approx. 1.1 kg	
Included in delivery	cover, sealing, installation instructions	