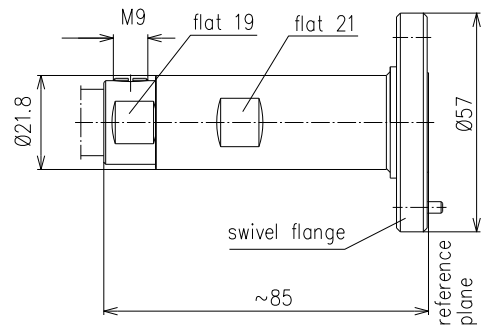


CABLE PLUG FOR LF 1/2-50-TYPE 7/8" EIA



Part number	BN 71 55 68		
Connector type	7/8"EIA		
Version	CAF™		
Impedance	50 Ω		
Frequency range	0 - 1 GHz	≤ 1 - 2.7 GHz	≤ 2.7 - 3.8 GHz
VSWR	≤ 1.02	≤ 1.03	≤ 1.06
Material and surface			
Inner conductor	copper alloy	silver-plated	
Outer conductor	copper alloy	silver-plated	
Other metal parts	copper alloy	bright nickel-plated	
Insulation	PTFE, PE		
Sealing	silicone rubber, PLAST® 2000		
Degree of protection	IP68 (mated)		
Cable compatibility	RFS	LCF12-50	
Standards	IEC 339/50-22-3		
Installation instructions	M30596		
Included in delivery	protective cap, cover, installation instructions		