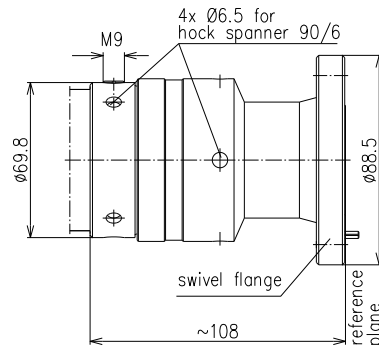


Cable Plug for LCF 214-50, Type 1 5/8" EIA || BN 723473



all dimensions in millimeter

Interface type	1 5/8" EIA (50 Ω) per IEC 60339-2	
Version	CAF®	
Frequency range	DC to 2.20 GHz	
VSWR, max. / typ.	1.02 @ DC to 1.00 GHz 1.05 @ 1.00 to 1.50 GHz 1.07 @ 1.50 to 2.00 GHz 1.10 @ 2.00 to 2.20 GHz	
Inner conductor material / surface finish	copper alloy / silver plated	
Outer conductor material / surface finish	copper alloy / silver plated	
Other metal parts / surface finish	copper alloy / nickel plated	
Insulation	PTFE	
Sealing	silicone rubber, PLAST 2000®	
IP protection level	IP68 per EN 60529 (interface connected with appropriate gasket)	
Cable compatibility	RFS	LCF 214-50, LCF 214-50 A
Installation instructions	M30703	
Weight, approx.	1.5 kg	
Scope of delivery	protective cap, cover, installation instructions	

SPINNER GmbH | This document is proprietary to us. All rights reserved. Any use, transfer, or reproduction of this document or the know-how contained therein requires our express consent.