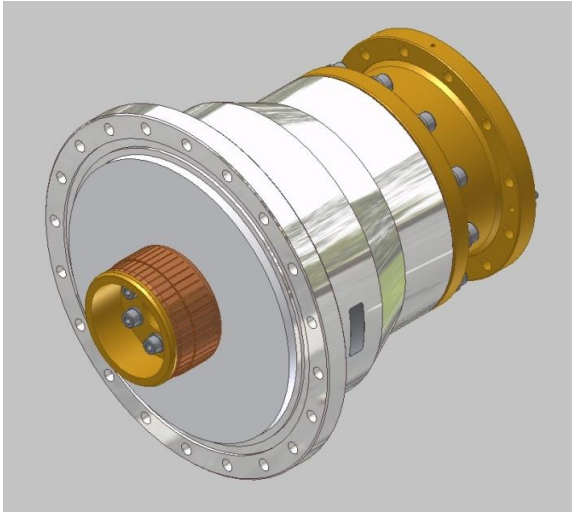


RL 9 3/16" EIA inter series adaptor to RL 6 1/8" EIA || BN 728628



Radio frequency characteristics

Interface type / material / surface finish	1x EIA 9 3/16" male (339 IEC) outer conductor aluminum alloy / painted on request inner conductor copper alloy / silver plated 1x EIA 6 1/8" female (339 IEC) outer and inner conductor copper alloy / silver plated	
Frequency range	0 to 350 MHz	
Average power capability, max.*	100 MHz 350 MHz	≤ 224 kW ≤ 120 kW
Insertion loss, max.	< 0.01 dB	
VSWR, max.	1.06	
Proof voltage	28 kV @ sea level	

*) At 40°C ambient temperature; 1 bar inner absolute air pressure; inner conductor temperature 150°C

General mechanical data

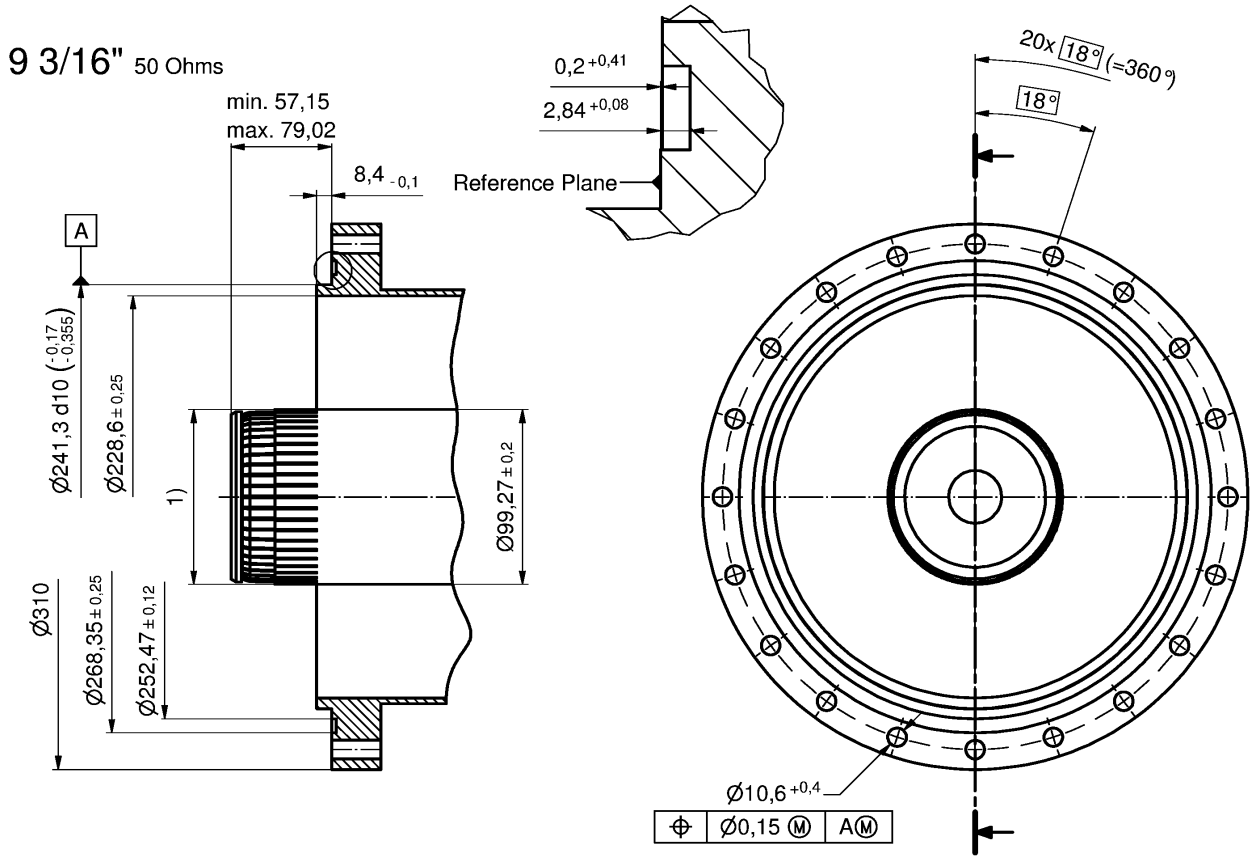
Absolute operating pressure, max.	4·10 ⁵ Pa (4 bar)
Leakage rate, max.	5·10 ⁻⁴ mbar·l/s @ absolute operating pressure
Material	aluminum alloy, copper alloy, stainless steel, silicone, PTFE
Surface finish	painting on request
Weight, approx.	18 kg
Marking	adhesive label

General environmental conditions

Operation	
Ambient temperature range	+10 to +50 °C
Relative humidity, max.	95% (condensation not permitted)
IP protection level	IP64 per EN 60529 (all interfaces connected with appropriate gaskets)
Storage	
Ambient temperature range	-20 to +50°C
Relative humidity, max.	95% (condensation not permitted)

RL 9 3/16" EIA inter series adaptor to RL 6 1/8" EIA || BN 728628

Outline and dimensions (all dimensions in millimeters)



1) Resilient contact members matching with diameter $\varnothing 96,82_{\pm 0,1}$

