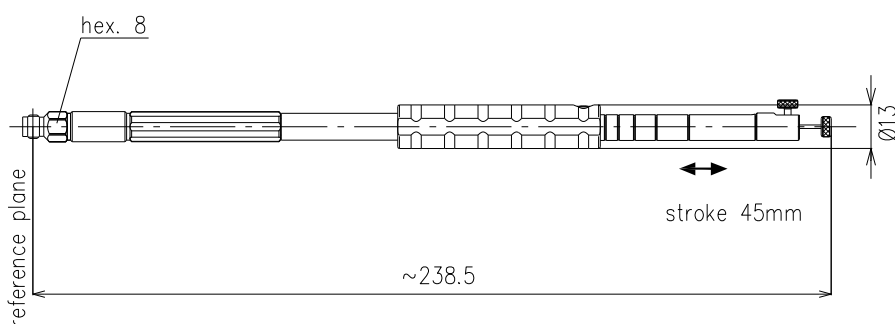


SLIDING LOAD



<b>Part number</b>	<b>BN 74 16 51 R00</b>	
Connectors	2.4 mm socket	
Impedance	50 Ω	
Frequency range	4 - 50 GHz	
Electrical data		
Line accuracy	≥ 44 dB	
Return loss	≥ 28 dB	
Directivity after calibration	≥ 30 dB	
Material and surface		
Inner conductor	CuBe age hardened	gold-plated
Outer conductor	copper alloy	gold-plated
Other metal parts	copper alloy	CuSnZn-plated
Standards	IEEE Std 287	
Operative temperature	+18 °C - +28 °C	
Storage temperature	-40 °C - +70 °C	
Relative humidity	0 - 95% at 40 °C, non-condensing	
Weight	approx. 0.1 kg	
Product manual	M36082	
Included in delivery	certificate of calibration, protective cap, storage box	