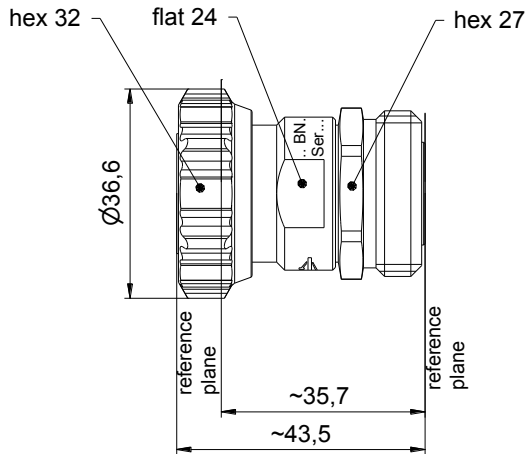


PRECISION THROUGH



Part number	BN 75 63 01 R000	
Connector type	7-16 plug / 7-16 socket	
Impedance	50 Ω	
Frequency range	0 - 7.5 GHz	
Electrical data		
Frequency range	0 - 4 GHz	4 - 7.5 GHz
Return loss	≥ 40 dB	≥ 36 dB
Electrical length	see calibration data	
Material and surface		
Inner conductor	CuBe age hardened	gold-plated
Outer conductor	copper alloy	gold-plated
Other metal parts	copper alloy	nickel-plated
Insulation	cross linked polystyrene	
Standards	IEC 61169-4	
Operating temperature	+18 °C - +28 °C	
Storage temperature	-40 °C - +70 °C	
Relative humidity	0 - 95% at 40 °C, non-condensing	
Weight	approx. 0.14 kg	
Product manual	M36081	
Included in delivery	certificate of calibration, calibration data	

Calibration data

Calibration data for the common VNAs are included in the delivery. It includes the electrical length to achieve the best possible performance.