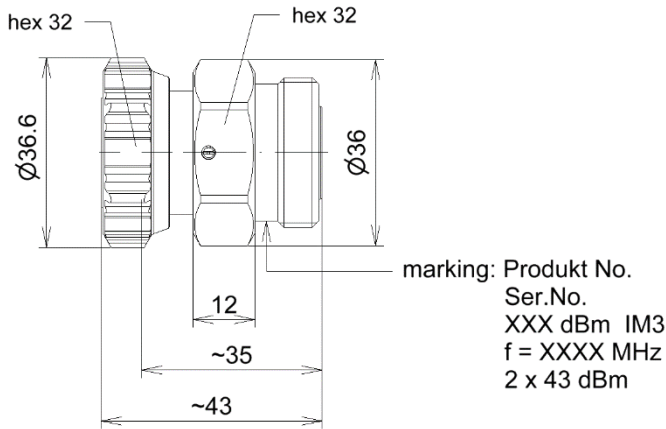


PASSIVE INTERMODULATION STANDARD || BN 756616Cxxxx



all dimensions in millimeter

Radio frequency characteristics

Interface type	7-16 plug - socket per IEC 61169-4
Frequency range	DC to 4 GHz
Impedance	50 Ω
VSWR, max.	1.03 @ DC to 1 GHz 1.08 @ 1 to 2 GHz 1.12 @ 2 to 3 GHz 1.16 @ 3 to 4 GHz

Mechanical characteristics

Center conductor material / surface finish	copper alloy / silver plated
Outer conductor material / surface finish	copper alloy / CuSnZn plated
Other metal parts / surface finish	copper alloy / CuSnZn plated
Insulation	PTFE
Weight, approx.	130 g
Included in delivery	protective caps

Intermodulation characteristics and part numbers

Intermodulation (IM 3) @ 2 x 20 W *		-70 dBm	-80 dBm	-90 dBm	-100 dBm	-110 dBm	-120 dBm
Frequency band		related part number					
GSM 900 f _{IM3} : 890.3 MHz	f1: 925.1 MHz	BN 756616 C0070	BN 756616 C0080	BN 756616 C0090	BN 756616 C0100	BN 756616 C0110	BN 756616 C0120
	f2: 959.9 MHz						
GSM 1800 f _{IM3} : 1730 MHz	f1: 1805 MHz	BN 756616 C1070	BN 756616 C1080	BN 756616 C1090	BN 756616 C1100	BN 756616 C1110	BN 756616 C1120
	f2: 1880 MHz						
UMTS f _{IM3} : 2050 MHz	f1: 2110 MHz	BN 756616 C2070	BN 756616 C2080	BN 756616 C2090	BN 756616 C2100	BN 756616 C2110	BN 756616 C2120
	f2: 2170 MHz						
LTE 2.6 f _{IM3} : 2550 MHz	f1: 2620 MHz	BN 756616 C3070	BN 756616 C3080	BN 756616 C3090	BN 756616 C3100	BN 756616 C3110	BN 756616 C3120
	f2: 2690 MHz						

* ±3 dB at 2 x 43 dBm / 2 x 20 W carrier