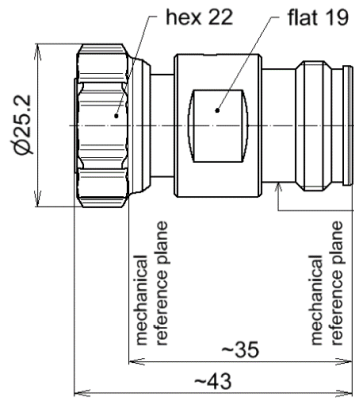


Intermodulation Standard 4.3-10-m-4.3-10-f | BN 756617



marking: Produkt No.
Ser.No.
XXX dBm IM3
f = XXXX MHz
2 x 43 dBm

all dimensions in millimeter

Radio frequency characteristics

Interface type	4.3-10 plug - socket per IEC 61169-54
Frequency range	DC to 4 GHz
Characteristic impedance	50 Ω
VSWR, max.	1.03 @ DC to 1 GHz 1.08 @ 1 to 2 GHz 1.12 @ 2 to 3 GHz 1.16 @ 3 to 4 GHz

Mechanical characteristics

Inner conductor material / surface coating	copper alloy / silver-plated
Outer conductor material / surface coating	copper alloy / CuSnZn-plated
Dielectric material	PTFE
Other parts material / surface coating	copper alloy / CuSnZn-plated
Weight, approx.	75 g

Intermodulation characteristics

Intermodulation (IM 3) @ 2 x 20 W *		-60 dBm	-70 dBm	-80 dBm	-90 dBm	-100 dBm	-110 dBm	-120 dBm
Frequency band		related part number						
LTE 800 f _{MS} : 851 MHz	f1: 791 MHz	BN 756617 C4060	BN 756617 C4070	BN 756617 C4080	BN 756617 C4090	BN 756617 C4100		
	f2: 821 MHz							
GSM 900 f _{MS} : 890.3 MHz	f1: 925.1 MHz		BN 756617 C0070	BN 756617 C0080	BN 756617 C0090	BN 756617 C0100	BN 756617 C0110	BN 756617 C0120
	f2: 959.9 MHz							
GSM 1800 f _{MS} : 1730 MHz	f1: 1805 MHz		BN 756617 C1070	BN 756617 C1080	BN 756617 C1090	BN 756617 C1100	BN 756617 C1110	BN 756617 C1120
	f2: 1880 MHz							
UMTS f _{MS} : 2050 MHz	f1: 2110 MHz		BN 756617 C2070	BN 756617 C2080	BN 756617 C2090	BN 756617 C2100	BN 756617 C2110	BN 756617 C2120
	f2: 2170 MHz							
LTE 2.6 f _{MS} : 2550 MHz	f1: 2620 MHz		BN 756617 C3070	BN 756617 C3080	BN 756617 C3090	BN 756617 C3100	BN 756617 C3110	BN 756617 C3120
	f2: 2690 MHz							

* ±3 dB at 2 x 43 dBm / 2 x 20 W carrier

Scope of delivery and accessories

Scope of delivery	protective caps
-------------------	-----------------

SPINNER GmbH
This document is proprietary to us.
All rights reserved. Any use, transfer, or reproduction of this document
or the know-how contained therein requires our express consent.

Template TD-00002.docx | Issue AC