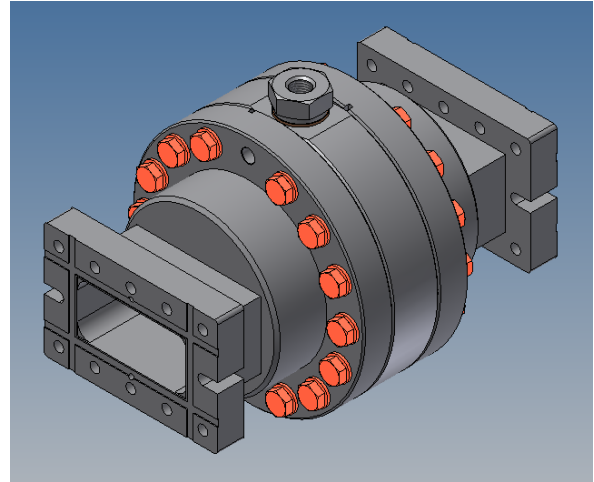


R32 / WR284 Pressure Window UHV || BN 769929



Typical illustration

Radio frequency characteristics

Waveguide	WR284 / R32 acc. to DIN 47302 - OFHC copper
Waveguide flange	Desy acc. to Desy Drawing SE000042837 (12.08.16)
Frequency range	2.9985 GHz ± 5 MHz
Peak power capability	45 MW*
Average power capability	30 kW*
Insertion loss, max.	0.1 dB
VSWR, max.	1.05

*) Conditions:

- Waveguide evacuated to absolute pressure, max. 1 · 10⁻⁸ mbar
- Temperature of waveguide, max. 40 °C
- Pulse width, max. 3 μs
- Pulse repetition rate, max. 400 Hz
- Load VSWR, max. ∞

General mechanical data

Differential operating pressure, max. / nominal	3.0 · 10 ⁵ Pa (3.0 bar) / 2.0 · 10 ⁵ Pa (2.0 bar)
Leakage rate, max.	1 · 10 ⁻¹⁰ Pa · m ³ /s (1 · 10 ⁻⁹ mbar · l/s)
Material / surface	stainless steel / copper plated stainless steel copper alloy / copper plated
Surface finish	painting (RAL 9005) high quality
Bakeable to	150 °C for 48 hours
Marking	engraved / adhesive label
Absolute operating pressure for water cooling, max.	8 · 10 ⁵ Pa (8 bar)
Interface water cooling	NPT 1/4"
Weight, approx.	15 kg

This document is proprietary to us. All rights reserved. Any use, transfer, or reproduction of this document or the know-how contained therein requires our express consent.

SPINNER GmbH

Template TD-00002P

R32 / WR284 Pressure Window UHV || BN 769929

General environmental conditions

Operation	
Ambient temperature range	+10 to +50°C
Relative humidity, max.	95% (non-condensing)
Storage	
Ambient temperature range	-20 to +50°C
Relative humidity, max.	95% (non-condensing)

Outline (all dimensions in millimeter)

© 1999 Spinner GmbH. Alle Rechte vorbehalten.
 This drawing is proprietary to us. All rights reserved.
 Any use, transfer, or reproduction of this document
 without the express written consent of Spinner GmbH is prohibited.

Note:
 1) ---- this area is not painted

Meßangaben in mm Dimensions in mm		Projektion E Projection E	Meßstab / Scale 1 : 2
Allgemeintoleranzen: DIN ISO 2768mH		Datum: 12.08.2019	Name: Otlich
General tolerances: 2768mH		Erstellt: 12.08.2019	Gezeichnet: Otlich
Autor: /		Geprüft: 25.11.2019	Gezeichnet: Otlich
Zustimmung: /			
A Startdatum: 12.08.2019		Bezeichnung: pressure window Title: vacuum window UHV, R32 / WR284 Zeichnung-Nr.: 769929-0E Drawing-No.:	
		Format: A3	Blatt: 1 von: 1 Sheet: 1 of: 1

SPINNER GmbH | This document is proprietary to us. All rights reserved. Any use, transfer, or reproduction of this document or the know-how contained therein requires our express consent.

Freigegeben

Diese Zeichnung ist unser Eigentum. Verwendung, Vervielfältigung, Reproduktion oder Weitergabe ohne unsere schriftliche Genehmigung ist ausdrücklich untersagt.