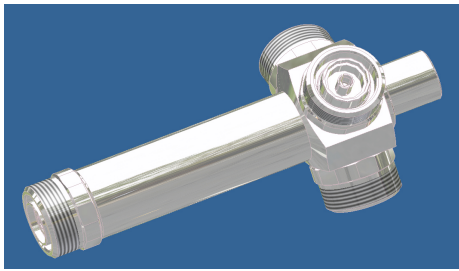
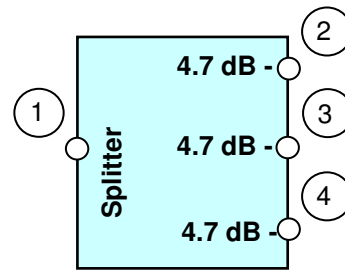


Coaxial 3-Way-Splitter



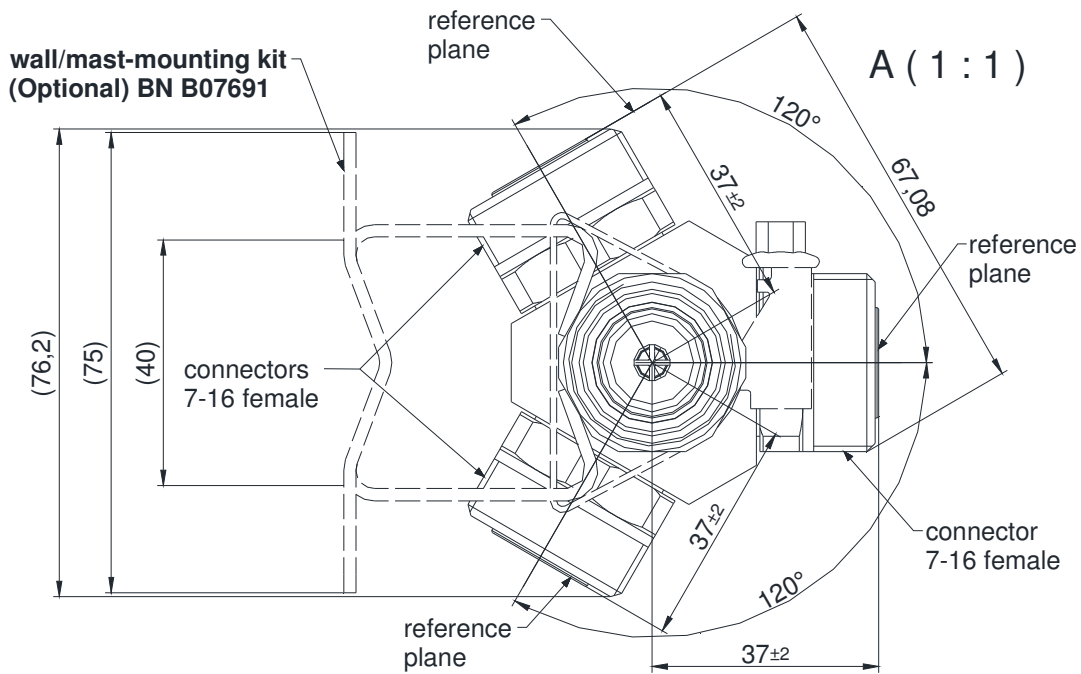
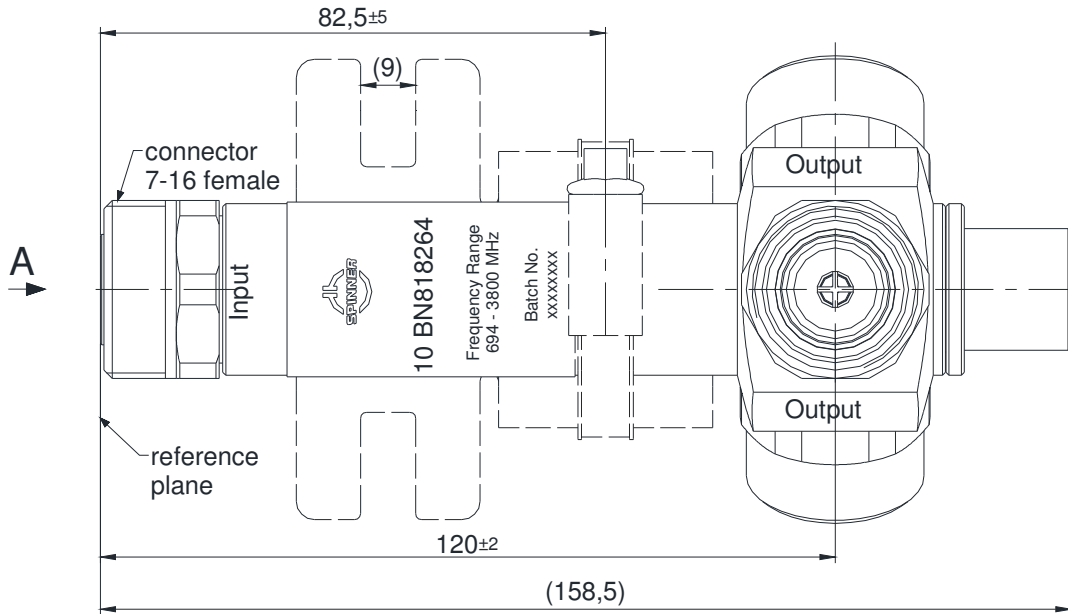
not binding



Block Diagram

Part number	BN 818264
Splitting ratio	1 : 0.33 : 0.33 : 0.33
Connectors	7-16 female (50 Ohms)
Frequency range	694 – 3800 MHz
Port 1	Input
Port 2,3,4	Output
Output difference	≤ 0.3 dB
Insertion loss	≤ 5.0 dB
VSWR	≤ 1.2 (Port 1)
Phase difference	≤ 3°
Power rating	500 W CW
Intermodulation products 3rd order @ 2 x 20 W	≤ -160 dBc typical ≤ -165 dBc
Degree of protection mated / 1bar, 1h, ≤18°C	IP 68
Class. of environmental conditions	ETSI EN 300019-1-1 Class 1.2 ETSI EN 300019-1-2 Class 2.3 ETSI EN 300019-1-4 Class 4.1E
Operating temperature	-40 to +85°C
Wall / Mast mounting	to be ordered separately 1 pcs BN B07691
Weight	0.49 kg

Dimensions:

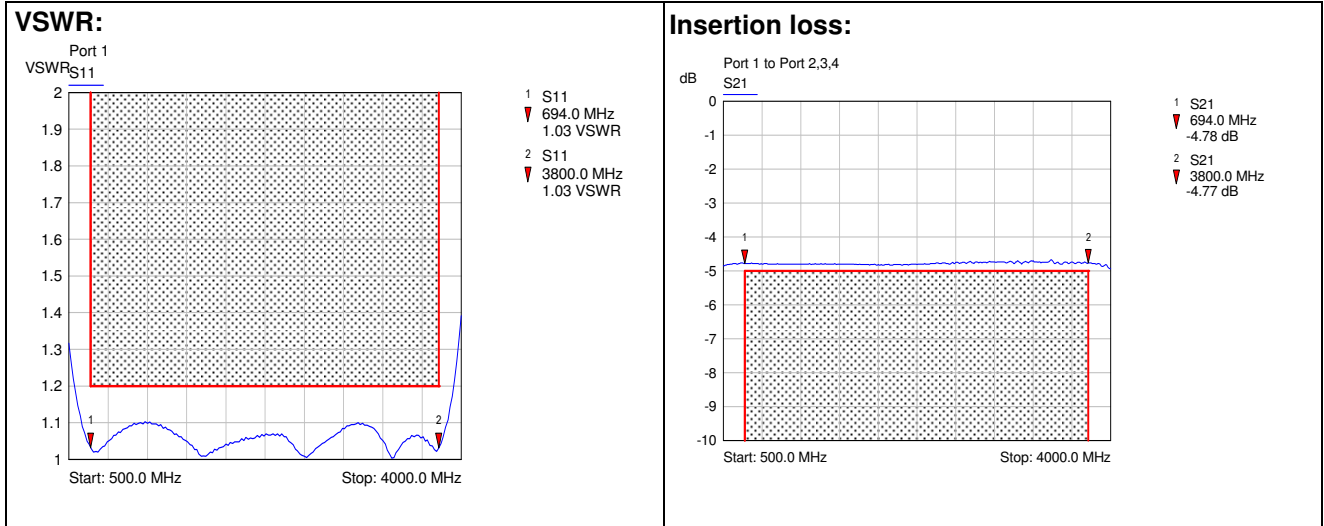


Standard:

7-16 female (50 ohms): CECC 22190, IEC 169-4

modifications reserved

Measurements:



Signal splitting ratios (approximate values, for information only):

