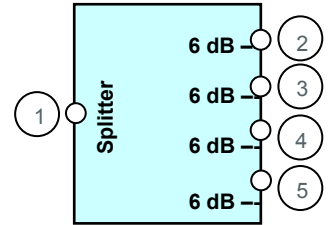
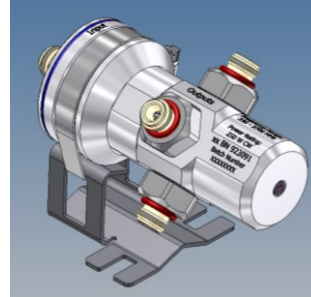
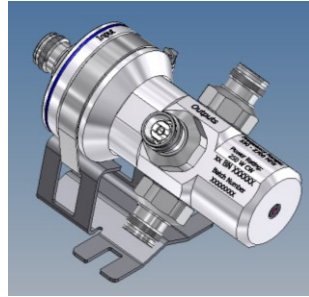
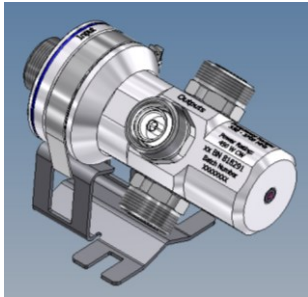


Coaxial 4-Way-Splitter



BN 818291

BN 818294

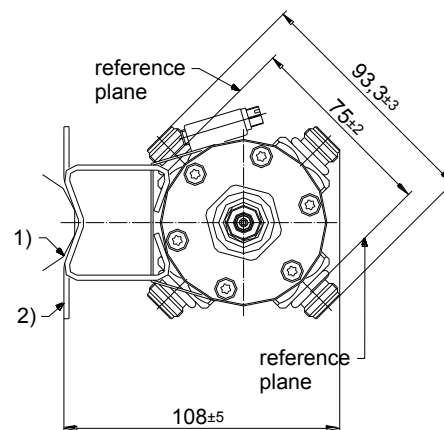
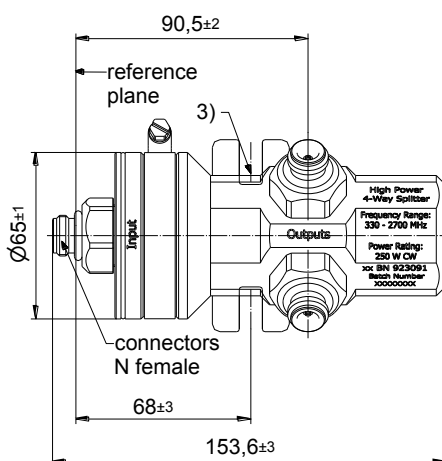
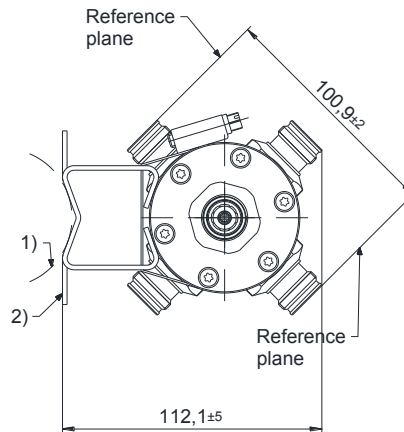
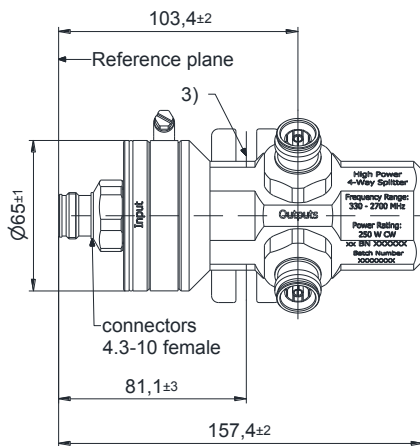
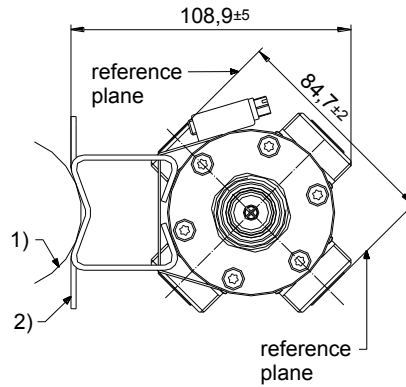
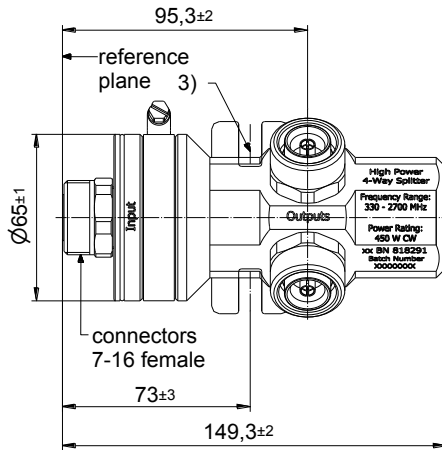
BN 923091

Block Diagram

Part number	BN 818291	BN 818294	BN 923091
Splitting ratio	1 : 0.25 : 0.25 : 0.25 : 0.25		
Connectors	7-16 female (50 Ohms)	4.3-10 female (50 Ohms)	N female (50 Ohms)
Frequency range	330 – 2700 MHz		
Port 1	Input		
Port 2, 3, 4, 5	Output		
Output difference	≤ 0.5 dB		
Insertion loss	≤ 6.5 dB		
VSWR	≤ 1.2 (Port 1)		
Power rating	450 W CW @ - 40 to +55°C 250 W CW @ + 55 to +75°C	450 W CW @ - 40 to +55°C 250 W CW @ + 55 to +75°C	250 W CW @ - 40 to +55°C 120 W CW @ + 55 to +75°C
IM - value 3rd order @ 2 x 20 W	≤ -160 dBc		
Degree of protection	IP 68		
Environmental conditions	ETSI EN 300019-1-1 Class 1.2 ETSI EN 300019-1-2 Class 2.3 ETSI EN 300019-1-4 Class 4.1E		
Weight	1.15 kg		
Wall / Mast mounting	part of delivery		
Temperature range	-40 to +75°C		
Materials	Aluminum alloy, sea water proof (housing) Copper alloy, plated (connectors) Stainless steel (clamp and mounting bracket)		

Coaxial 4-Way-Splitter

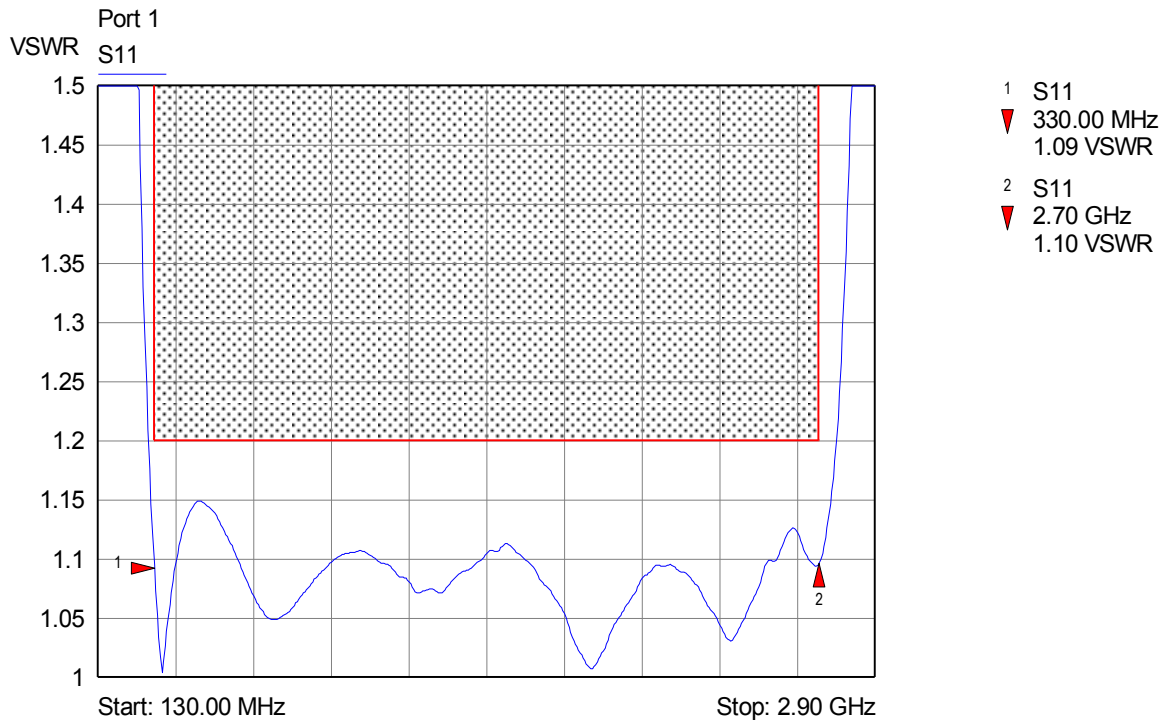
Dimensions:



- 1) mast mounting (mast diameter 48 - 130 mm, clamp is not part of delivery)
- 2) wall mounting
- 3) distance of mounting points 45 - 65 mm

Coaxial 4-Way-Splitter

VSWR:



Insertion loss:

