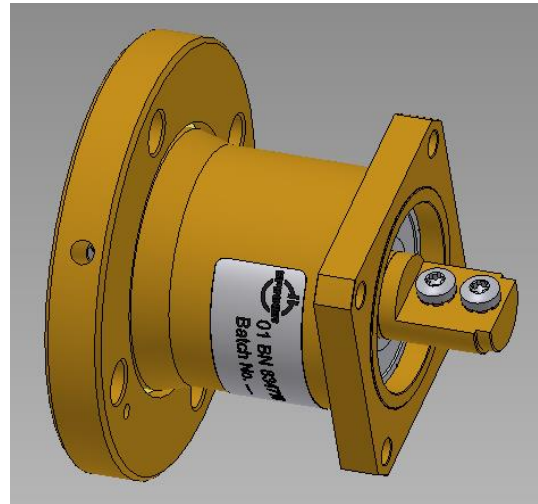


Panel adaptor 1 5/8" EIA

- compact design
- low VSWR
- for indoor application



Part number	BN 83 47 18
Connector type	1 5/8" EIA
Impedance	50 Ω
Frequency range	0 to 1500 MHz
VSWR	< 1.05
Proof voltage	7.0 kV DC
Material and surface	
Inner conductor	copper alloy, silver-plated
Outer conductor	copper alloy, silver-plated
Insulation	PTFE
Standards	EN 122150
Dimensions (L x W x H) mm	ca. 90 x 90 x 88
Ambient temperature	-10 °C ≤ θ ≤ +55 °C
Weight	approx. 0.9 kg
Environmental conditions	For limitations see "Environmental Conditions for Broadcast Products" TD-00060