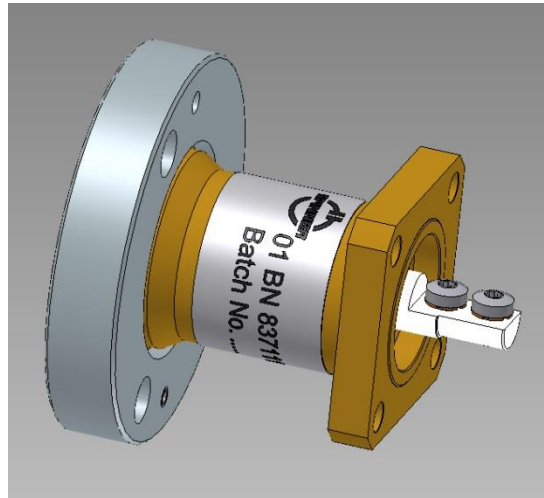


Panel adaptor 7/8" EIA

- compact design
- low VSWR
- for indoor application



Part number	BN 83 71 11
Connector type	7/8" EIA
Impedance	50 Ω
Frequency range	0 to 2000 MHz
VSWR	< 1.05
Proof voltage	3.8 kV
Material and surface	
Inner conductor	copper alloy, silver-plated
Outer conductor	copper alloy, silver-plated
Insulation	PTFE
Standards	EN 122150
Dimensions (L x W x H) mm	ca. 58 x 58 x 64
Ambient temperature	-10 °C ≤ θ ≤ +55 °C
Weight	approx. 0.3 kg
Environmental conditions	For limitations see "Environmental Conditions for Broadcast Products" TD-00060