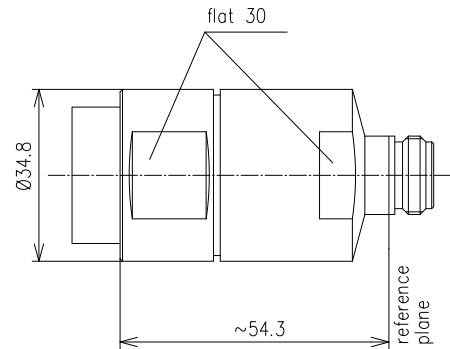


CABLE SOCKET FOR LF 7/8"-50-TYPE N



<b>Part number</b>	<b>BN 84 63 41</b>		
Connector type	N socket		
Version	CAF™		
Impedance	50 Ω		
Frequency range	0 - 1 GHz	≤ 1 - 2.7 GHz	≤ 2.7 - 3.8 GHz
VSWR	≤ 1.02	≤ 1.03	≤ 1.08
Material and surface			
Inner conductor	copper alloy	silver-plated	
Outer conductor	copper alloy	silver-plated	
Other metal parts	copper alloy	bright nickel-plated	
Insulation	PTFE		
Sealing	silicone rubber		
Degree of protection	IP68 (mated)		
Cable compatibility	RFS	LCF 78-50 A, UCF 78-50 A	
Standards	IEC 61169-16		
Installation instructions	M32060		
Included in delivery	installation instructions		