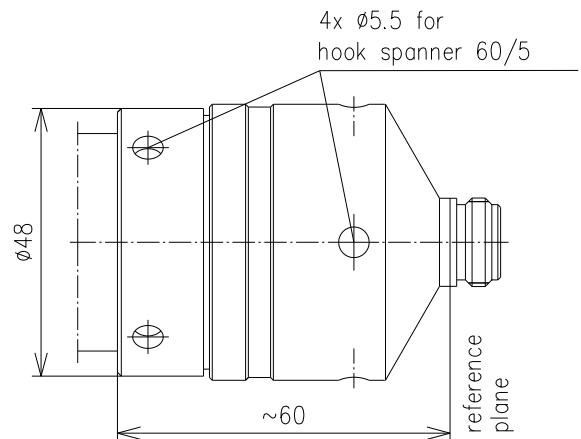


CABLE SOCKET FOR LF 1 1/4"-50-TYPE N



<b>Part number</b>	<b>BN 84 63 43</b>			
Connector type	N socket			
Version	CAF®			
Impedance	50 $\Omega$			
Frequency range	0 - 1 GHz	$\leq 1 - 2.2$ GHz	$\leq 2.2 - 2.7$ GHz	$\leq 2.7 - 3.3$ GHz
VSWR	$\leq 1.02$	$\leq 1.04$	$\leq 1.06$	$\leq 1.08$
Material and surface				
Inner conductor	copper alloy		silver-plated	
Outer conductor	copper alloy		silver-plated	
Other metal parts	copper alloy		bright nickel-plated	
Insulation	PTFE			
Sealing	silicone rubber			
Degree of protection	IP68 (mated)			
Cable compatibility	RFS	UCF 114-50 A, LCFS 114-50 A		
Standards	IEC 61169-16			
Installation instructions	M32061			
Weight	approx. 0.4 kg			
Included in delivery	cover, installation instructions			