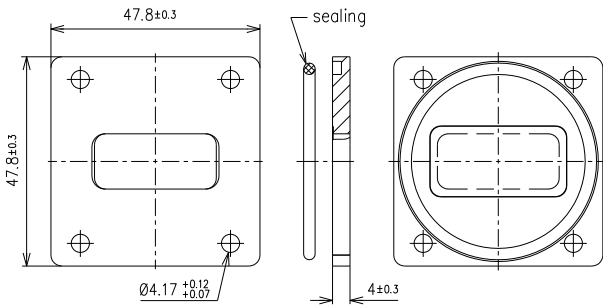


Waveguide Pressure Window R 84 || BN 865744



all dimensions in millimeter

| | |
|---------------------------------------|---------------------------------|
| Interface type | similar PBR/UBR per IEC 60154-2 |
| Frequency range | 6.57 to 10.00 GHz |
| VSWR, max. | 1.03 |
| Material / surface finish | copper alloy / no finish |
| Other metal parts / surface finish | PI foil / no finish |
| Sealing | silicone rubber |
| Differential operating pressure, max. | 0.05 MPa (0.5 bar), both-way |
| Weight, approx. | 60 g |

SPINNER GmbH
 This document is proprietary to us.
 All rights reserved. Any use, transfer, or reproduction of this document
 or the know-how contained therein requires our express consent.