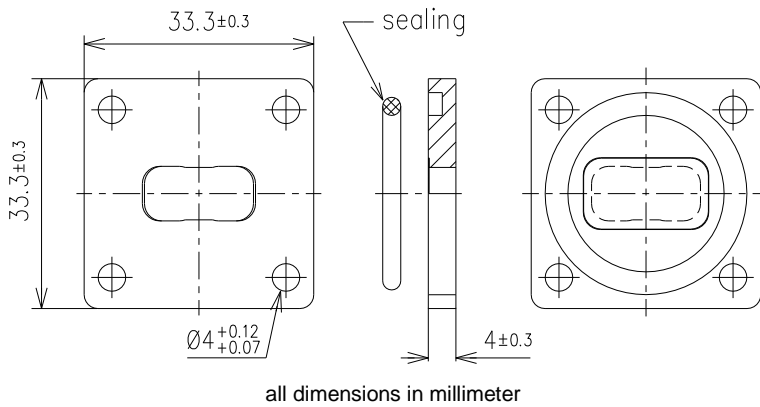


Waveguide Pressure Window R 140 || BN 865943



Interface type	similar PBR/UBR 140 per IEC 60154-2
Frequency range	11.9 to 18.0 GHz
VSWR, max.	1.04
Material / surface finish	copper alloy / no finish
Other metal parts / surface finish	PI foil / no finish
Sealing	silicone rubber
Differential operating pressure, max.	0.05 MPa (0.5 bar), both-way
Weight, approx.	30 g

SPINNER GmbH | This document is proprietary to us. All rights reserved. Any use, transfer, or reproduction of this document or the know-how contained therein requires our express consent.