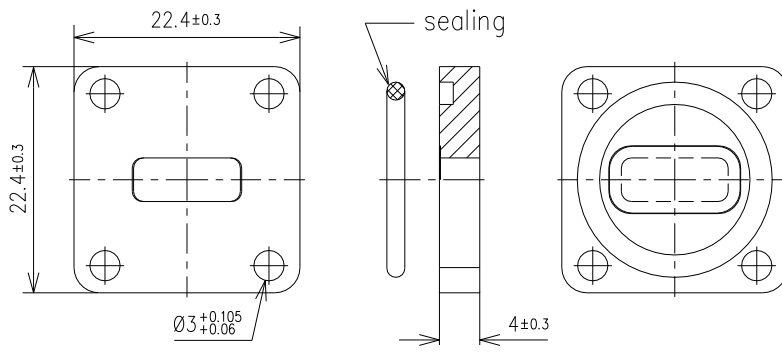


Waveguide Pressure Window R 220 || BN 866042



all dimensions in millimeter

Interface type	similar PBR/UBR 220 per IEC 60154-2
Frequency range	17.6 to 26.7 GHz
VSWR, max.	1.04
Material / surface finish	copper alloy / no finish
Other metal parts / surface finish	PI foil / no finish
Sealing	silicone rubber
Differential operating pressure, max.	0.05 MPa (0.5 bar), both-way
Weight, approx.	15 g

SPINNER GmbH. This document is proprietary to us. All rights reserved. Any use, transfer, or reproduction of this document or the know-how contained therein requires our express consent.