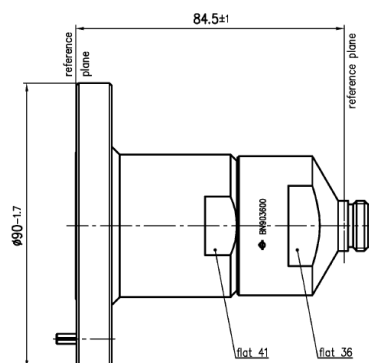
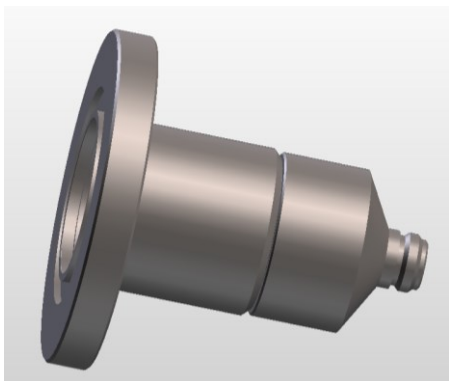


Adaptor 1 5/8" EIA to N female || BN 903600



all dimensions in millimeter

Interface type	1 5/8" EIA (50 Ω) per IEC 60339 N female (50 Ω) per IEC 61169-16
VSWR, max.	1.02 DC to 1 GHz 1.04 1 GHz to 2.7 GHz
Frequency range	DC to 2.7 GHz
Average power capability	300 W
Proof voltage, max.	1.5 kV
Inner conductor material / surface finish	copper alloy / silver plated
Outer conductor material / surface finish	copper alloy / silver plated
Insulation	PTFE
Sealing	silicone rubber
IP protection level	IP68 per EN 60529 (interface connected with appropriate gasket)
Weight, approx.	0.9 kg
Ambient temperature range	-40 to +85 °C
Relative humidity, max.	95% (non-condensing)
Scope of delivery	adaptor, protective caps