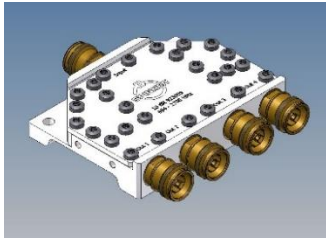
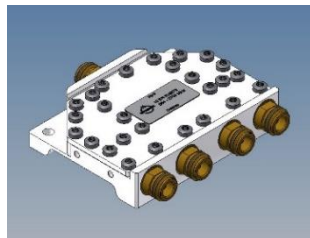


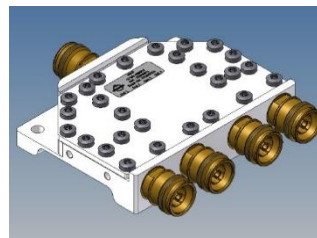
### Stripline 4-Way-Splitter



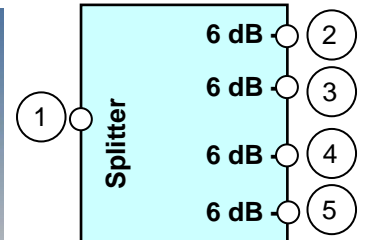
BN 923069



BN 923079



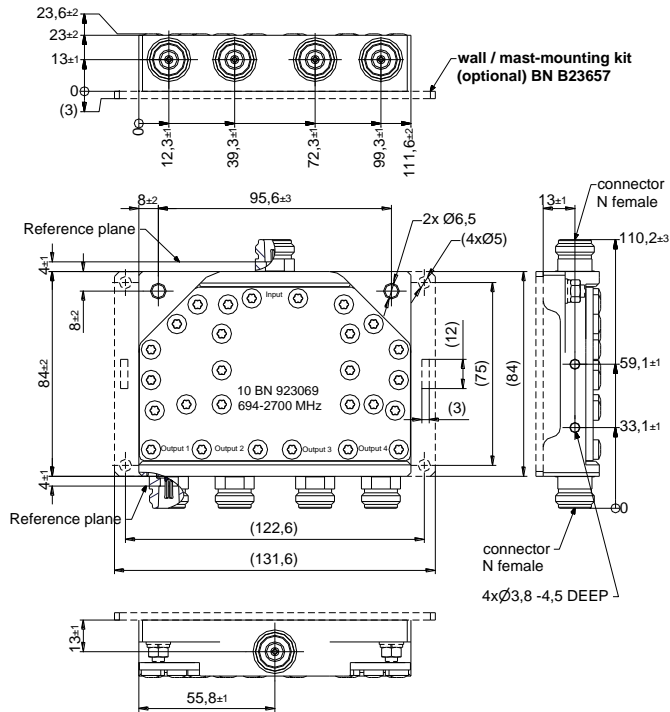
BN 433002



Block Diagram

Part number	BN 923069	BN 923079	BN 433002
Splitting ratio	1 : 0.25 : 0.25 : 0.25 : 0.25		
Connectors	N socket (50 Ohms)		4.3-10 socket (50 Ohms)
Frequency range	694 – 2700 MHz		
Insertion loss	6.1 dB ± 0.6 dB ( including splitting losses)		
VSWR	≤ 1.3 (Port 1)		
Phase difference	≤ 160°		
Power rating	300 W CW		
IM - value 3rd order @ 2 x 20 W	≤ -160 dBc   typical ≤ -165 dBc		
DC-by-pass	DC all ports (max. 1A per input max. 60V DC(AISG Standard, 2.0, § 6.4))		
Degree of protection	IP 62 Indoor	IP 65 outdoor	IP 62 Indoor
Environmental conditions	ETSI EN 300019-1-1 Class 1.2 ETSI EN 300019-1-2 Class 2.3 ETSI EN 300019-1-3 Class 3.3	ETSI EN 300019-1-1 Class 1.2 ETSI EN 300019-1-2 Class 2.3 ETSI EN 300019-1-4 Class 4.1E	ETSI EN 300019-1-1 Class 1.2 ETSI EN 300019-1-2 Class 2.3 ETSI EN 300019-1-3 Class 3.3
Weight	0.42 kg		0.53 kg
Paint color	no painting	light grey polyurea (RAL 7047)	no painting
Wall / Mast mounting	to be ordered separately under BN B23657		
Temperature range	-25 to +55°C		

Dimensions:

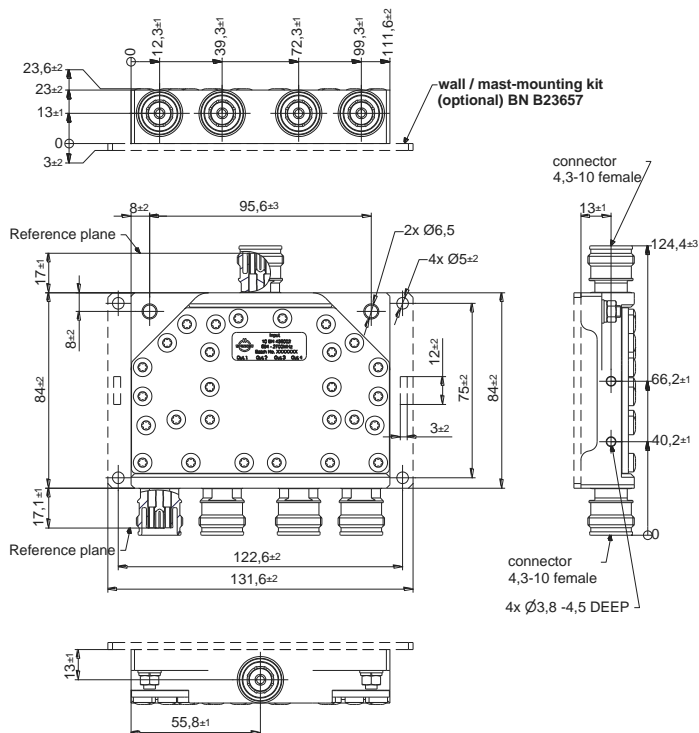


BN 923069/923079

Standard:

N female (50 ohms): CECC 22210, IEC 61169-16

modifications reserved



BN 433002

Standard:

4.3-10 female 50 (ohms): IEC 61169-54

modifications reserved

Measurements:

