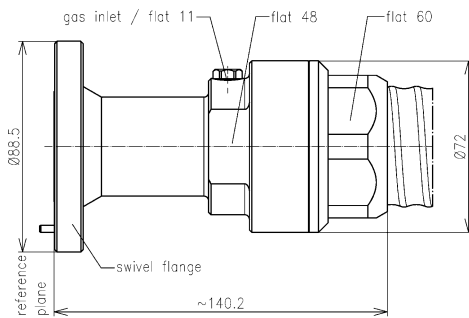


Cable Socket 1 5/8" EIA for HCA158-50 || BN 936518



all dimensions in millimeter

SPINNER GmbH
 This document is proprietary to us.
 All rights reserved. Any use, transfer, or reproduction of this document
 or the know-how contained therein requires our express consent.

Interface type	1 5/8" EIA (50 ohms) per 339 IEC 50-40-3	
Frequency range	DC to 3 GHz	
VSWR, max.	1.02 @ DC to 1.00 GHz 1.04 @ 1.00 to 2.20 GHz 1.06 @ 2.20 to 3.00 GHz	
Peak power capability	270 kW	
Average power capability*	5 kW @ 960 MHz	
Proof voltage, max.	11 kV	
Inner conductor material / surface finish	copper alloy / silver plated	
Outer conductor material / surface finish	copper alloy / Cu-Sn-Zn plated	
Other metal parts / surface finish	copper alloy / bright nickel plated stainless steel / untreated	
Insulation	PTFE	
Sealing	silicone rubber	
Degree of protection	IP 68 (pressure-tight up to 4 bar / 400 kPa)	
Cable compatibility	RFS	HCA158-50
Handling instructions	M36531	
Weight, approx.	1.4 kg	
Operating temperature range	-40°C to +85°C	
Storage temperature range	-70°C to +85°C	
Gas inlet	NPT 1/8"	
Included in delivery	cover, sealing, installation instruction	

*at 40°C ambient temperature