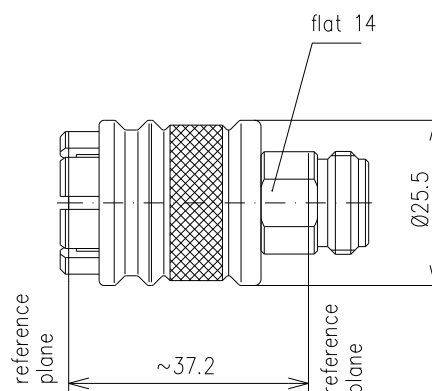


Adapter Push-Pull plug-socket || BN 950870



all dimensions in millimeter

**Radio frequency characteristics**

Interface type	N plug / socket per IEC 61169-16
Frequency range	DC to 18 GHz
Impedance	50 Ω
Return loss, min.	40 dB @ DC to 2 GHz
	34 dB @ 2 to 10 GHz
	30 dB @ 10 to 18 GHz

**Mechanical characteristics**

Center conductor material / surface finish	CuBe age hardened / gold-plated
Outer conductor material / surface finish	copper alloy / gold-plated
Insulation	cross linked polystyrene
Other metallic parts / surface finish	CuBe age hardened, copper alloy / nickel-plated stainless steel silicone rubber
Weight, approx.	0.07 kg

**Environmental conditions**

<b>Operation</b>	
Ambient temperature range	+18 to +28°C
<b>Storage</b>	
Ambient temperature range	-40 to +70°C

**Scope of delivery and accessories**

Scope of delivery	protective caps
Accessories	green silicone ring A09431

SPINNER GmbH | This document is proprietary to us. All rights reserved. Any use, transfer, or reproduction of this document or the know-how contained therein requires our express consent.