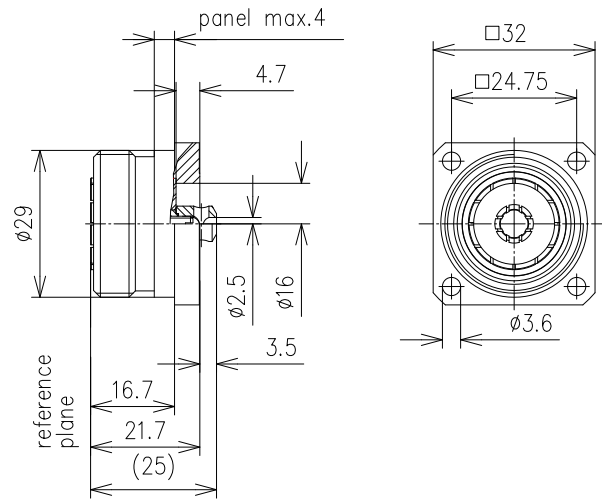


FIXED SOCKET -TYPE 7-16



<b>Part number</b>	<b>BN 95 45 10</b>			
Connector type	7-16 socket			
Version	soldered			
Impedance	50 $\Omega$			
Frequency range	0 - 1 GHz	1 - 2 GHz	2 - 3 GHz	3 - 4 GHz
VSWR	$\leq 1.02$	$\leq 1.04$	$\leq 1.06$	$\leq 1.08$
Material and surface				
Inner conductor	copper alloy		silver-plated	
Outer conductor	copper alloy		silver-plated	
Insulation	PTFE			
Degree of protection	IP68 (mated)			
Standards	IEC 61169-4			
Weight	approx. 0.08 kg			