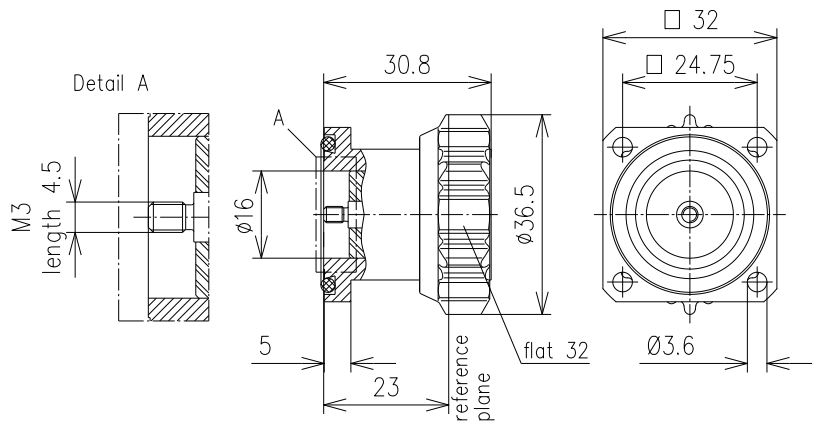


FIXED PLUG -TYPE 7-16



Part number	BN 95 47 65		
Connector type	7-16 plug		
Version	rear inner conductor with male thread		
Impedance	50 Ω		
Frequency range	0 - 2 GHz	2 - 4 GHz	4 - 8 GHz
VSWR	≤ 1.02	≤ 1.04	≤ 1.08
Material and surface			
Inner conductor	copper alloy	silver-plated	
Outer conductor	copper alloy	silver-plated	
Other metal parts	copper alloy	bright nickel-plated	
Insulation	PTFE		
Sealing	silicone rubber		
Degree of protection	IP68 (mated)		
Standards	IEC 61169-4		
Weight	approx. 0.1 kg		
Included in delivery	sealing		