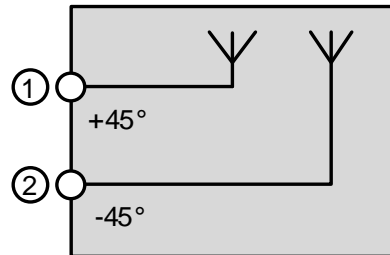


MIMO X-Pol Panel Antenna, 698MHz-2700MHz



not binding

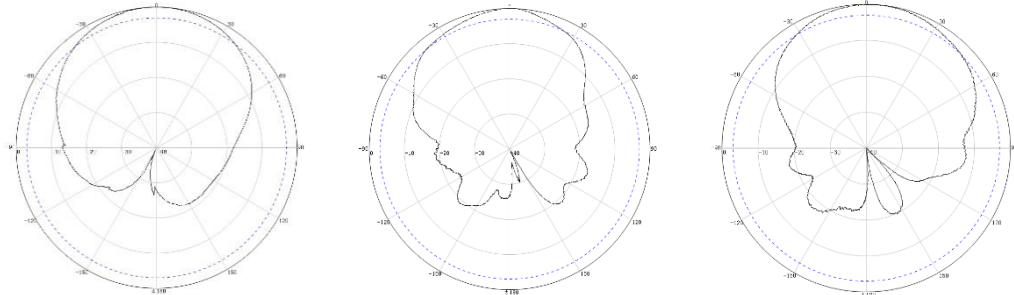


block diagram

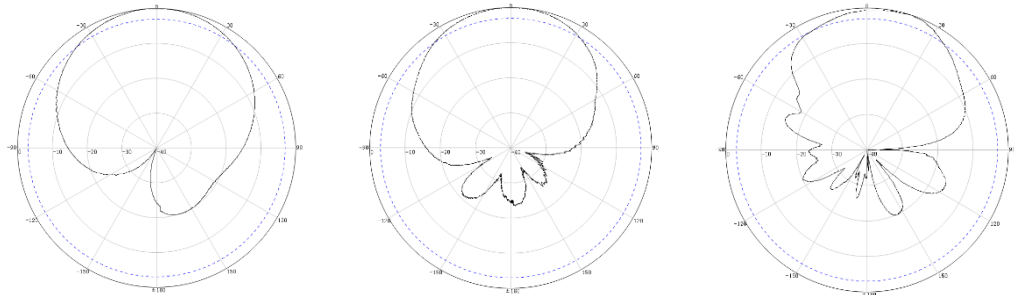
| Part number | | BN A77136C0002 | | | | | |
|---|------------|--------------------------|---------|-----------|-----------|-----------|-----------|
| Connector | | 2 x 4.3-10 female (50 Ω) | | | | | |
| Frequency range, [MHz] | | 698-806 | 806-960 | 1710-1880 | 1920-2170 | 2200-2500 | 2490-2700 |
| Gain, [dBi] | | 6.4 | 7.5 | 8.1 | 8.1 | 8.1 | 7.1 |
| Polarization, [deg] | | +45 / -45 | | | | | |
| Beam width, [deg] | Horizontal | 61-82 | | | 63-87 | | |
| | Vertical | 55-80 | | | 55-85 | | |
| Front-To-Back Ratio, [dB] | | ≥10 | | | ≥15 | | |
| VSWR | | ~1.5 | | | | | |
| Isolation, [dB] | | ≥20 | | | ≥23 | | |
| Intermodulation (IM3) @ 2x 20 W, [dBc] | | ~%150 | | | | | |
| Input power, [W] | | max. 50 | | | | | |
| Degree of protection | | Indoor / IP54 | | | | | |
| Weight, without Mounting Kit, [kg] | | 0.88 | | | | | |
| Radome Material and Color | | ABS, White, RAL9003 | | | | | |
| Temperature range, [°C] | | -55 – +60 | | | | | |
| Dimensions (H x W x D), [mm] | | 308 x 190 x 82 | | | | | |
| Operational Humidity | | 95% | | | | | |
| RoHS | | Compliant | | | | | |
| Flammability rating | | UL 94-V0 | | | | | |
| Mounting Kit | | On-wall | | | | | |

Radiation pattern:

**Horizontal
pattern**



**Vertical
pattern**

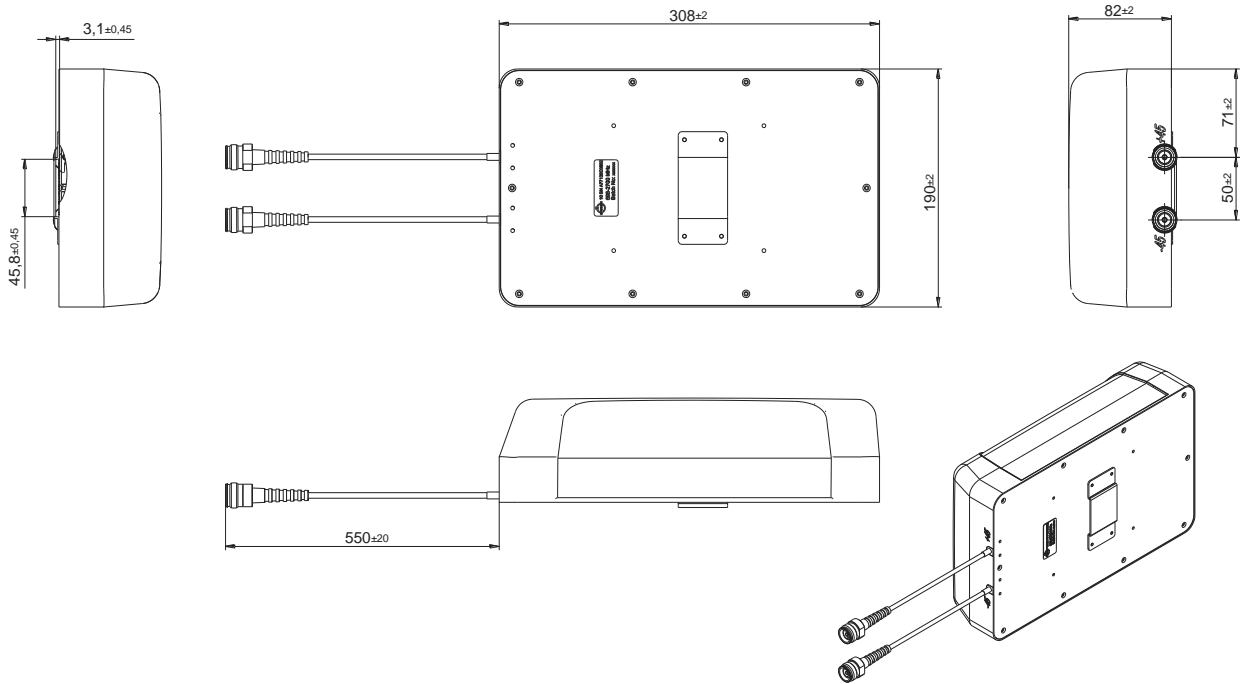


900MHz

1710MHz

2500MHz

Dimensions and mounting:



Standard:
4.3-10 female (50 ohms): IEC 61169-54

Subject to change without notice

Mounting kit:

