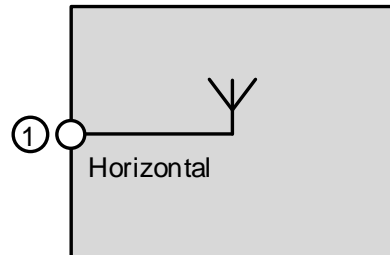


Thin H-Pol Omni antenna, 617MHz-6000MHz



not binding



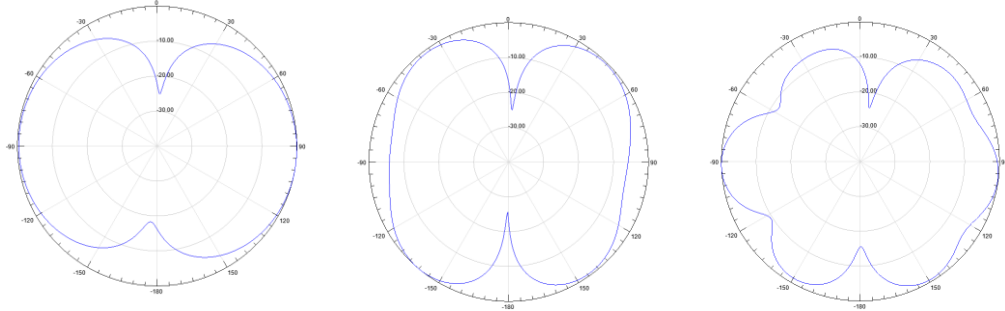
block diagram

Part number		BN A77146				
Connector		4.3-10 female (50 Ω)				
Frequency range, [MHz]		617-806	806-960	1350-1550	1690-2700	3300-3800 4900-6000
Gain, [dBi]		1.5±0.5	2.2±0.5	3.5±0.5	4.5±1.0	6.0±1.0 6.0±1.0
Polarization		Horizontal				
Beam width	Horizontal, [deg]	360				
	Vertical, [deg]	70-230	55-150		45-105	
VSWR		≤1.8				
Intermodulation (IM3) @ 2x 20 W, [dBc]		≤-153				
Input power, [W]		max. 50				
Degree of protection		Indoor / IP54				
Weight, [kg]		0.3				
Radome Material and Color		ABS, White, RAL9003				
Temperature range, [°C]		-55 – +60				
Dimensions, [mm]		Ø220 x 18				
Operational Humidity		<95%				
RoHS		Compliant				
Flammability rating		UL 94-V0				
Fire load, [kWh]		2.04				
Installation instructions		M36535				
Mounting Kit		Ceiling ¹⁾ , via hole(standard)				

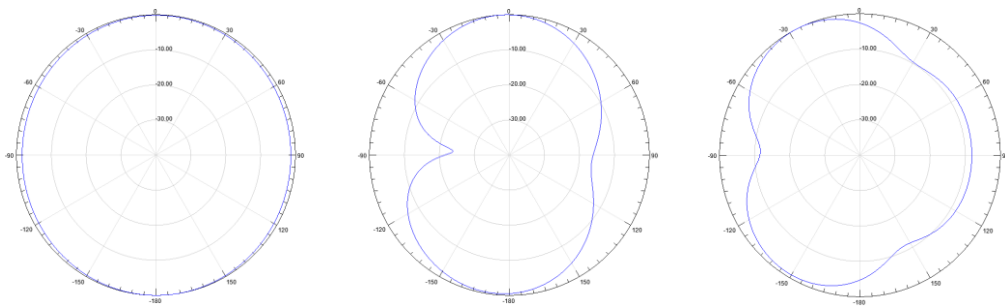
¹⁾ The installation of thin antennas is not recommended for metal ceilings.

Radiation pattern:

Horizontal pattern



Vertical pattern

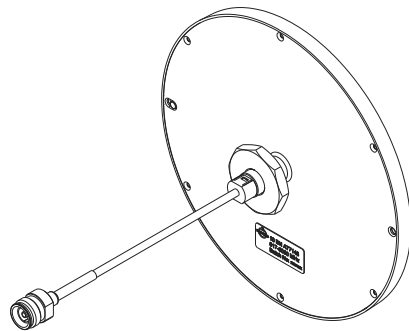
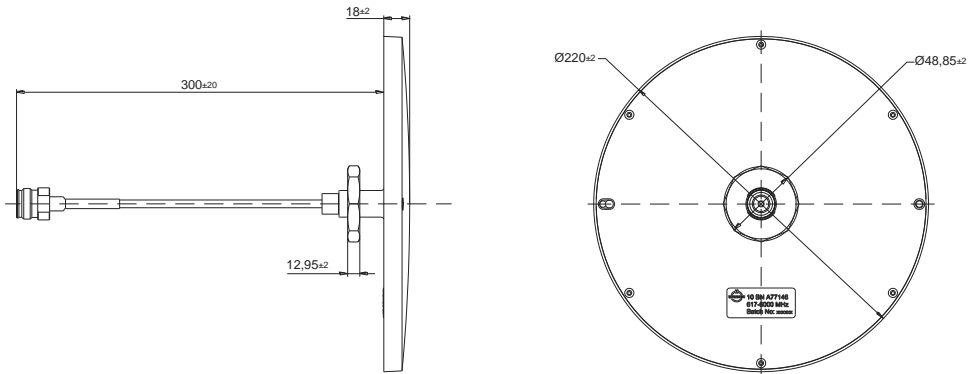


900MHz

1710MHz

2500MHz

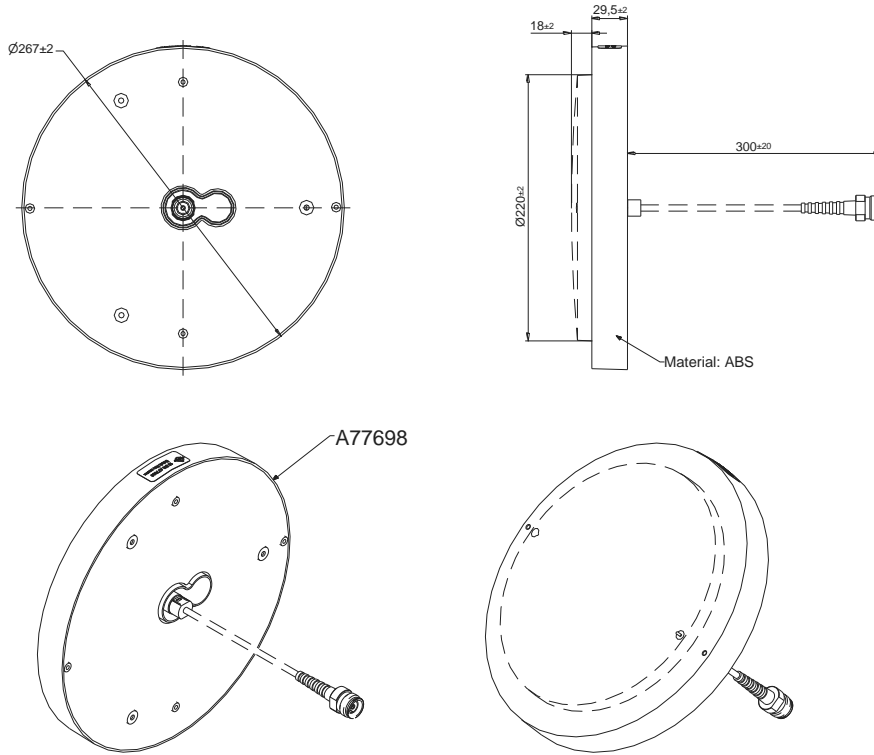
Dimensions and mounting:



Standard:

4.3-10 female (50 ohms): IEC 61169-54

Absorbing/Mounting accessory BN A77698 (optional)



Subject to change without notice