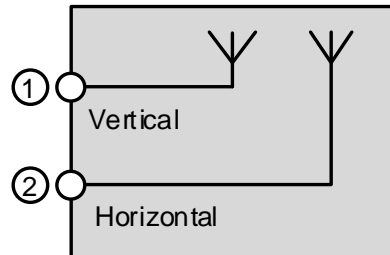


MIMO VH-Pol Omni Square Antenna, 694MHz-3800MHz

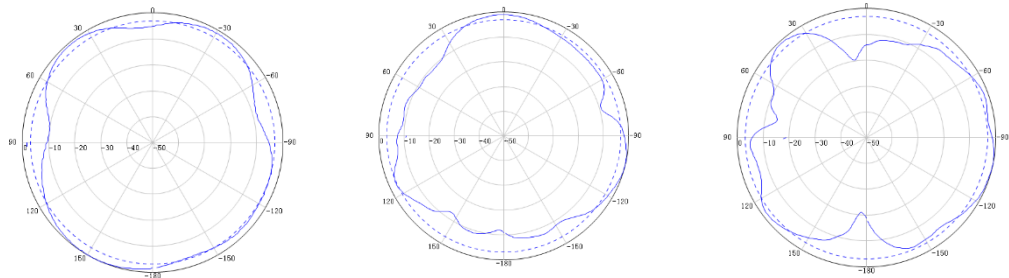


Part number		BN A77148			
Connector		2 x 4.3-10 female (50 Ω)			
Frequency range, [MHz]		694-960	1427-1710	1710-2700	3400-3800
Gain, [dBi]		2.5±1.0	4.0±1.0	4.5±1.0	5.0±1.0
Polarization		Vertical and Horizontal			
Beam width	Horizontal, [deg]	360			
	Vertical, [deg]	90-260	50-200	30-80	
Isolation, [dB]		≥16	≥25	≥25	≥25
VSWR		≤1.8			
Intermodulation (IM3) @ 2x 20 W, [dBc]		≤-153			
Input power, [W]		max. 50 per port.			
Degree of protection		Indoor / IP54			
Weight, without Mounting Kit, [kg]		0.4			
Radome Material and Color		ABS, White, RAL9003			
Temperature range, [°C]		-55 – +60			
Dimensions H x W x D, [mm]		290 x 140 x 14			
Operational Humidity		<95%			
RoHS		Compliant			
Flammability rating		UL 94-V0			
Fire load, [kWh]		2.47			
Installation instructions		M36535			
Mounting Kit		Ceiling ¹⁾ , via hole(standard)			

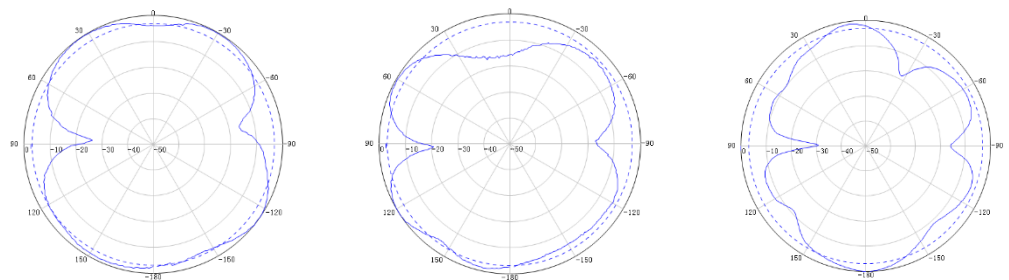
¹⁾ The installation of thin antennas is not recommended for metal ceilings.

Radiation pattern:

Horizontal pattern



Vertical pattern

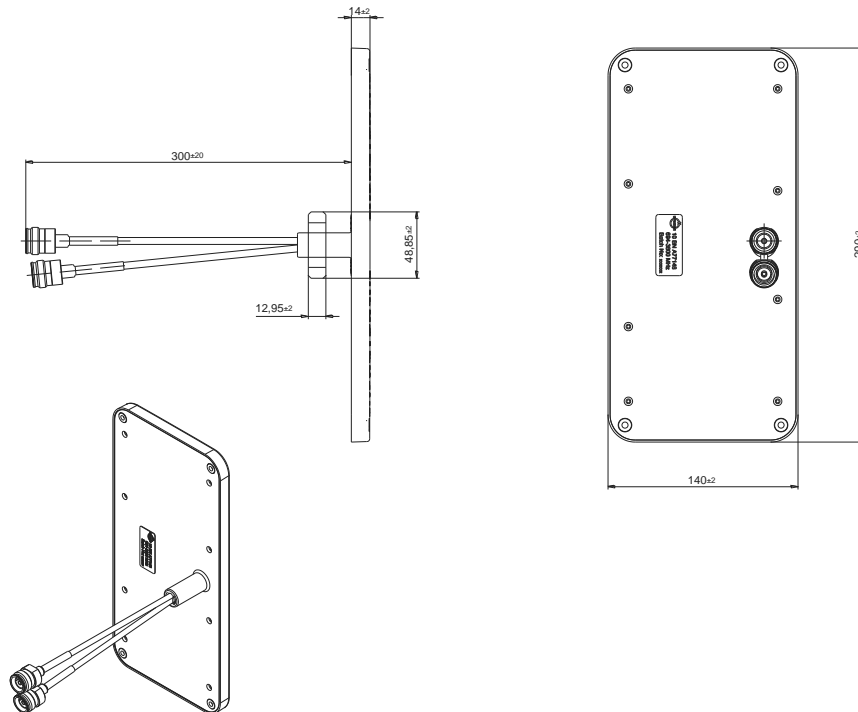


800MHz

1710MHz

2500MHz

Dimensions and mounting:



Standard:

4.3-10 female (50 ohms): IEC 61169-54

Subject to change without notice