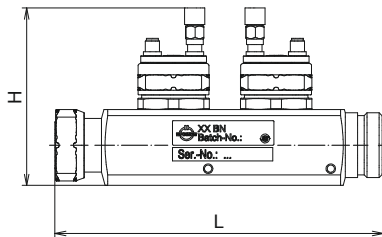
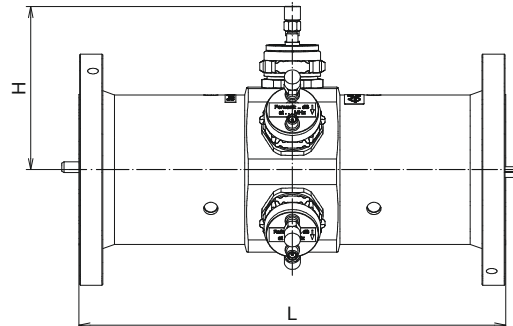


Directional Couplers (1 ... 5 Probes)

- High directivity
- Coupling varies with frequency
- Coupling is adjusted at reference frequency
- Low VSWR
- Suitable for a wide frequency range
- For indoor application
- Termination load is included



BN 800468



BN 800265C0005

Part Number	1-way 2-way 3-way 4-way 5-way	— BN 800468 BN 800468C0003	BN 800865C0001 BN 800865C0002 BN 800865C0003	— BN 800265C0002 BN 800265C0003 BN 800265C0004 BN 800265C0005	— BN 800365C0002 BN 800365C0003 BN 800365C0004 BN 800365C0005
Frequency range					
Reduced performance					0 - 40 MHz
Full performance					40 - 860 MHz
Reduced performance		860 MHz - 3.0 GHz	860 MHz - 2.1 GHz	860 MHz - 1.3 GHz	860 MHz - 1.0 GHz
Proof voltage at sea level (NN)		≤ 3 kV	≤ 7 kV	≤ 14 kV	≤ 19 kV
Average power (at +40 °C ambient temperature)	100 MHz 230 MHz 860 MHz	≤ 5.3 kW ≤ 3.8 kW ≤ 2.0 kW	≤ 20.0 kW ≤ 13.5 kW ≤ 7.0 kW	≤ 67 kW ≤ 44 kW ≤ 23 kW	≤ 112 kW ≤ 74 kW ≤ 38 kW
Coupling range	88 - 108 MHz 170 - 230 MHz 470 - 860 MHz	51 - 75 dB 45 - 69 dB 36 - 57 dB	58 - 86 dB 52 - 80 dB 43 - 68 dB	61 - 91 dB 56 - 85 dB 47 - 73 dB	65 - 96 dB 60 - 90 dB 51 - 78 dB
Tolerance of coupling at reference frequency f_{ref}					≤ ±0.1 dB
Variation of coupling at other frequencies					$-20 \log_{10}(f/f_{ref})$
VSWR main line					≤ 1.04
Directivity					34 - 40 dB
Insertion loss					≤ 0.05 dB
Connectors main line		7-16 male/female	1 5/8" EIA female/female	3 1/8" EIA female/female	4 1/2" EIA female/female (339 IEC 50-105)
Connectors coupled line					SMA female
Termination load 1 W included					Do not overload termination load. Please define an adequate coupling factor.
Dimensions (L x H) mm		148 x 98.5	150 x 92	240 x 110.5	300 x 122.5
Weight		≈ 0.6 kg	≈ 1.1 kg	≈ 3.5 kg	≈ 5.3 kg
Environmental conditions					For limitations see "Environmental Conditions for Broadcast Products".