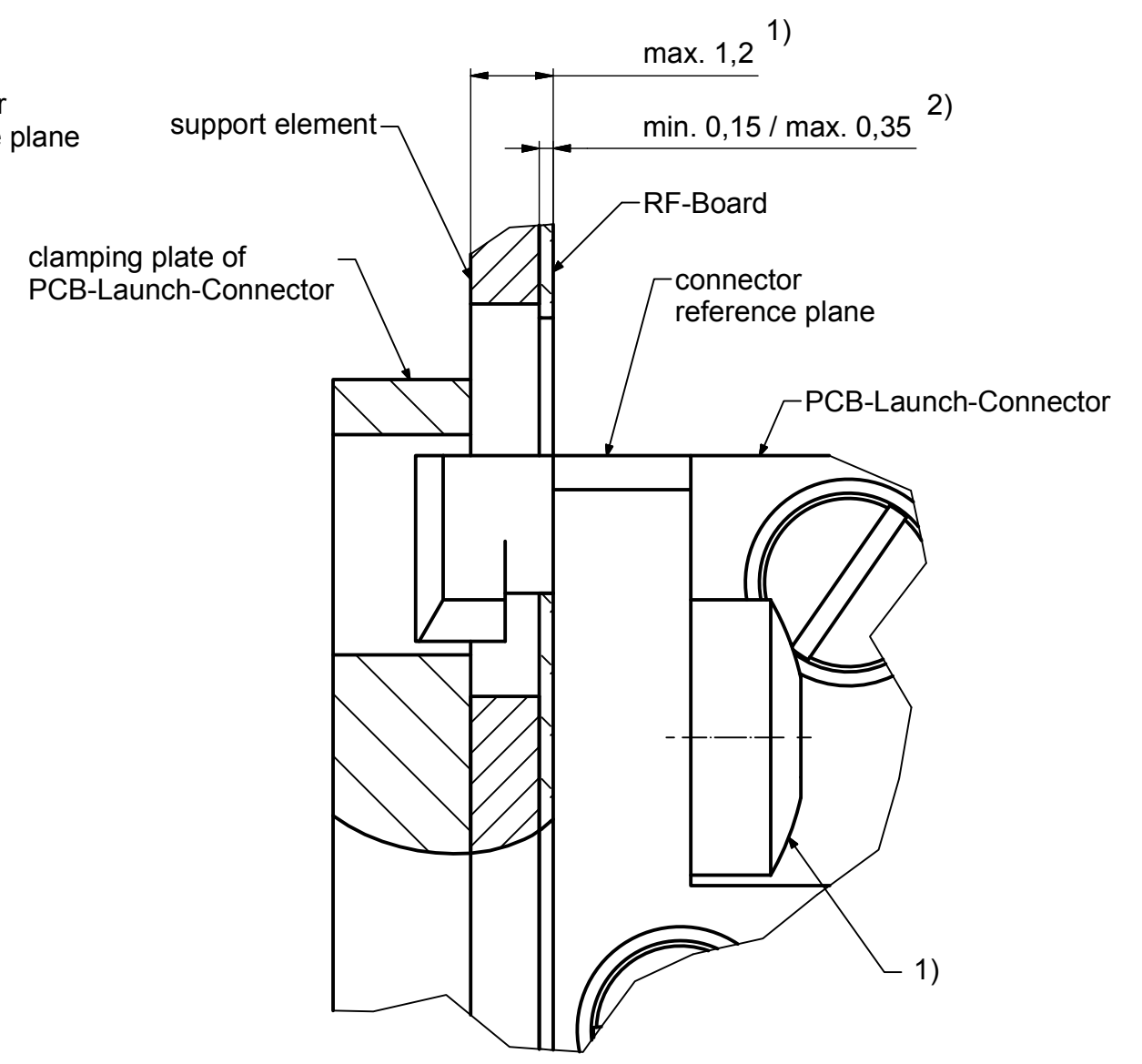
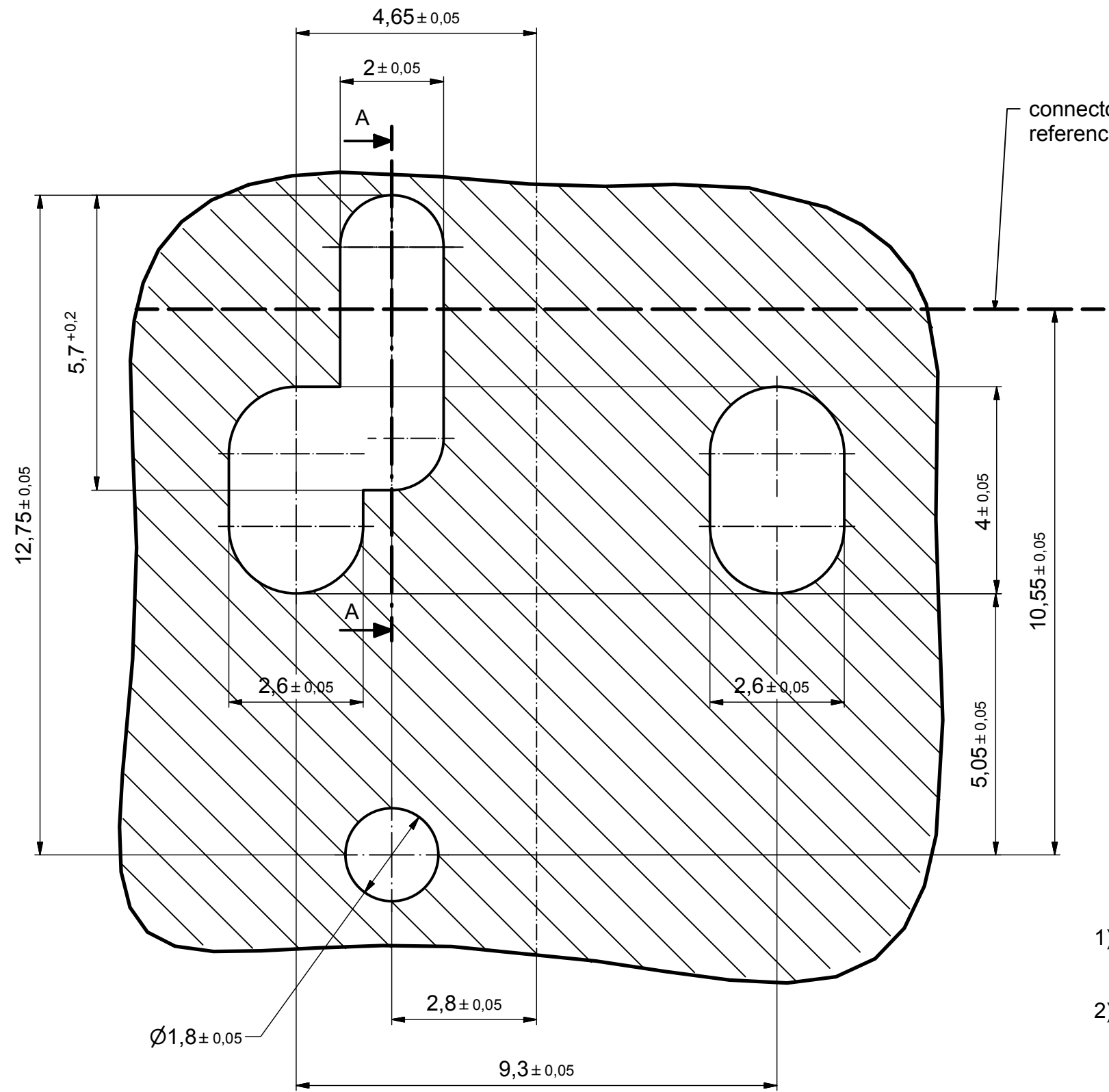


View A - A with assembled
 RF-Board and PCB-Launch-Connector



- 1) permissible max. thickness of support element for standard PCB-Launch-Connectors (delivered with 2 screws ISO14583-M 2 x 5), expandable with longer screws
- 2) permissible thickness of RF-Board for standard PCB-Launch-Connectors (Types for other RF-Board thickness on request)

Maßangaben in mm Dimensions in mm		Projektion E: Projection E:		Maßstab: / Scale: 10 : 1	
Allgemeintoleranzen: DIN ISO General tolerances: 2768mH		Datum: Date:	Name: Name:	Bezeichnung: Title:	
Index: Revision:	Änd.-Nr.: Issue-No.:	Datum: Date:	Name: Name:	support element for PCB-Launch-Connector SPINNER EasyLaunch	
Erstellt: Creator:	15.12.2017	Niebauer			
Geprüft: Checked:	21.12.2017	Niebauer			
B div.Änd. 21.12.2017 Niebauer		Spinner GmbH Erzgiessereistr. 33 D-80335 München		Zeichnungs-Nr.: Drawing-No.:	Format: Format:
A Startindex 15.12.2017 Niebauer		D04825-0E		A3	Blatt: Sheet: 1 von: of: 1