

SpinnerFlex® Hybrid Jumper SF 1/2" LF 7/8"



**Description**

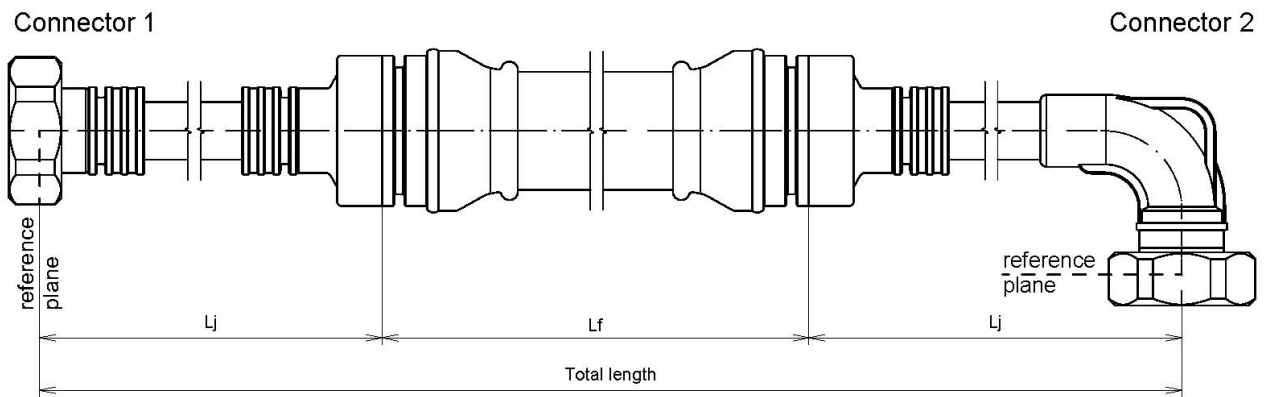
SpinnerFlex® Hybrid Jumper assemblies combine the low losses of a LF 7/8" feeder cable with the flexibility and the easy handling of a SF 1/2" jumper. The factory assembled and tested cables eliminate any installation errors and minimize installation time. Outstanding IM-Performance, low VSWR and IP 68 weather protection make these cable assemblies predestinated for all BTS setups with remote radio head.

Electrical Specification					
Impedance	50 Ω				
IM3 (2 x 20 W)	≤ -160 dBc / typ. -165 dBc				
Frequency range	380 – 960 MHz	1,700 – 2,200 MHz	2,200 – 2,700 MHz	3,300 – 3,800 MHz	
VSWR <sup>2)</sup>	≤ 1.09	≤ 1.13	≤ 1.16	≤ 1.22	
	typ. 1.06	typ. 1.08	typ. 1.09	typ. 1.16	
2) The given VSWR values are maintained within all global cellular frequency bands.					
		960 MHz	2,200 MHz	2,700 MHz	3,800 MHz
Insertion loss, nominal <small>(20 °C cable temperature values without connectors, typ. connector attenuation is ≤ 0.01 dB)</small>	Jumper SF 1/2" Feeder LF 7/8"	11.56 dB/100m	18.64 dB/100m	21.06 dB/100m	25.90 dB/100m
		4.02 dB/100m	6.46 dB/100m	7.29 dB/100m	8.90 dB/100m
max. Power rating <small>(40 °C ambient temperature)</small>		0.91 kW	0.56 kW	0.49 kW	0.35 kW
Mechanical Specification		SF 1/2"-50		LF 7/8"-50	
Minimum bending radius	Single	25 mm		120 mm	
	Repeated	32 mm		250 mm	
Crush resistance		1.9 kg/mm		1.4 kg/mm	
Recommended clamp spacing		800 mm		1,000 mm	
Connector		Material		Surface	
Inner conductor		Cu-alloy		Ag-plated	
Outer conductor		Cu-alloy		Ag-plated	
Other metal parts		Cu-alloy		Ni-plated	
Insulation		PTFE, PE			
Sealing		Silicone rubber			
Installation instruction		M30804			
		Length		Weight	
Jumper		L <sub>j</sub> = 1,000 mm		0.45 kg each end	
Feeder		L <sub>f</sub> = L – 2 x L <sub>j</sub>		0.50 kg x L <sub>f</sub> / 1000	

Template TD-00006B

### SpinnerFlex® Hybrid Jumper SF 1/2" LF 7/8"

Environmental Specification			
Degree of protection	IP 68 (0.1 bar / 6 hours / unmated) IP 68 (1 bar / 1 hour / mated)		
Recommended temperature range	Storage	Installation	Operation
PE jacket	-70 °C to +85 °C	-40 °C to +60 °C	-55 °C to +85 °C
FR jacket	-30 °C to +80 °C	-25 °C to +60 °C	-30 °C to +80 °C
CPR jacket	-30 °C to +80 °C	-15 °C to +60 °C	-30 °C to +80 °C
Cable jacket	Halogen free acc. to IEC 60754-1 and IEC 60754-2		
All jacket types (PE, FR and CPR)	Fire retardant acc. to IEC 60332-1, IEC 60332-3.C, IEC 61034 and UL 1581-1991		
FR jacket	Fire class: B2ca, s1a, d2, a1 acc. to CPR: EN 50575		
CPR jacket	Fire class: B2ca, s1a, d2, a1 acc. to CPR: EN 50575		
RoHS	compliant to directive 2011/65/EU and amendment (EU) 2015/863		



## SpinnerFlex® Hybrid Jumper SF 1/2" LF 7/8"

### Sales article numbers

Jumper	Hybrid	Cable Jacket	-	Connector 1	Connector 2	-	Length	Unit	Length	
<b>J</b>	<b>H</b>	<b>Z</b>	<b>-</b>	<b>XZ</b>	<b>XZ</b>	<b>-</b>	<b>X</b>	<b>Z</b>	<b>X</b>	
SF 1/2"+LF 7/8"+SF 1/2"		Blank for PE	Any combination of connectors below is possible. Please specify an XZ combination for connectors 1 and 2.							
Fire retardant Construction Products Regulation (CPR)		F C								
X = Connector system		Z = Connector style								
7-16	7	Male		M						
4.1-9.5	41	Male right angle		R						
N	N	Female (right angle)		F(R)						
		Female bulkhead (right angle)		B(R)						
		Female four-hole flange (right angle)		P(R)						
4.3-10	43	Male; screw		MS						
2.2-5	22	Male; hand screw		MH						
NEX10®		Male; push-pull		MP						
		Male right angle; screw		RS						
		Male right angle; hand screw		RH						
		Male right angle; push-pull		RP						
		Female (right angle)		F(R)						
		Female bulkhead (right angle)		B(R)						
Female four-hole flange (right angle)		P(R)								
Total length in meters/feet (depending on unit specified; please consider fix length for each SF1/2" end is 1 m by default and included in total length)										
Meters									M	
Feet									F	
Length in decimeters/inch (depending on unit specified)										

**Example:**

JH-7M43RS-6M (hybrid jumper with 7-16 male and 4.3-10 male right angle screw type; length 6.0 meter; 2x Jumper SF 1/2" 1.0 meter and Feeder LF 7/8"=4.0 meter)

SpinnerFlex® Hybrid Jumper SF 1/2" LF 7/8"

**7-16 connector system (according IEC 61169-4)**

Plug straight	Plug right angle	Socket

**4.3-10 connector system (according IEC 61169-54)**

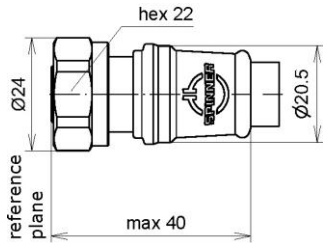
Plug straight (screw)	Plug right angle (screw)	Socket
Plug straight (hand-screw)	Plug right angle (hand-screw)	
Plug straight (push pull)	Plug right angle (push pull)	

Dimensions in mm, values above are maximum dimensions and can vary slightly dependent on the cable clamp used.

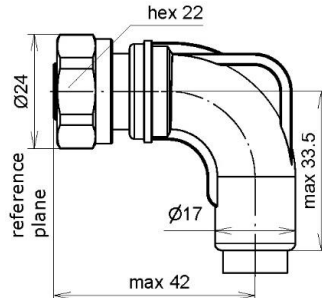
SpinnerFlex® Hybrid Jumper SF 1/2" LF 7/8"

**4.1-9.5 connector system (according IEC 60169-11)**

Plug straight

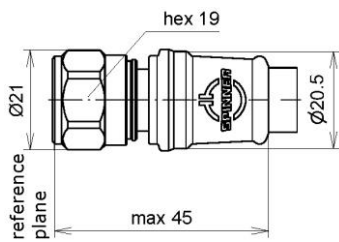


Plug right angle

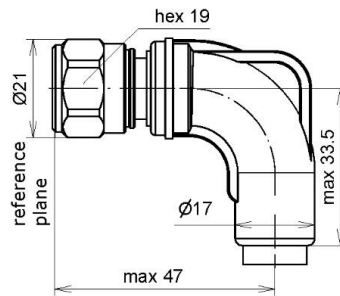


**N connector system (according IEC 61169-16)**

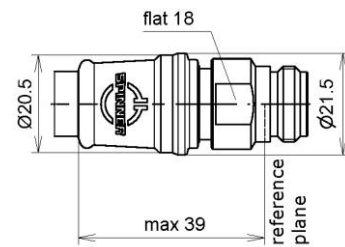
Plug straight



Plug right angle

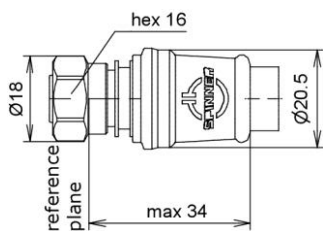


Socket

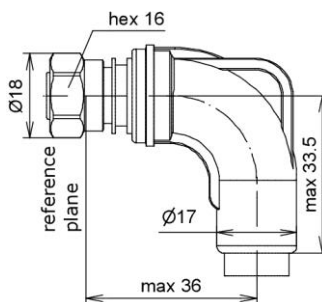


**2.2-5 connector system (according IEC 61169-66)**

Plug straight

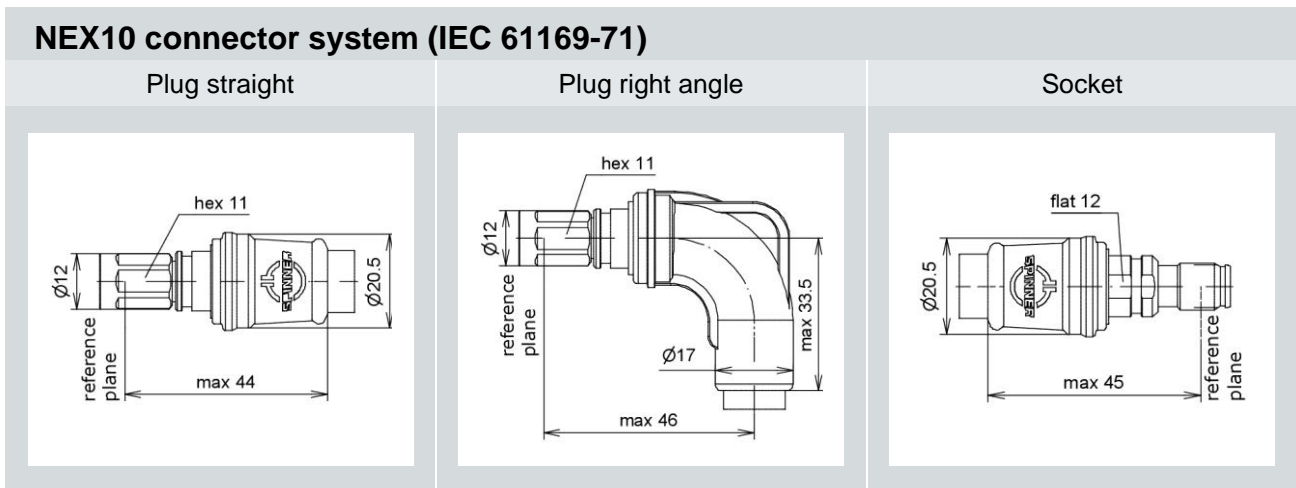


Plug right angle



Dimensions in mm, values above are maximum dimensions and can vary slightly dependent on the cable clamp used.

SpinnerFlex® Hybrid Jumper SF 1/2" LF 7/8"



Dimensions in mm, values above are maximum dimensions and can vary slightly dependent on the cable clamp used.