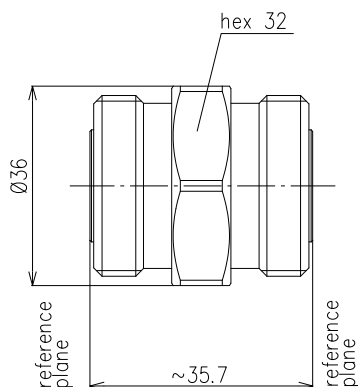


PRECISION THROUGH



| | | |
|-----------------------|----------------------------------------------|-------------|
| Part number | BN 19 64 04 R000 | |
| Connector type | 7-16 socket / 7-16 socket | |
| Impedance | 50 Ω | |
| Frequency range | 0 - 7.5 GHz | |
| Electrical data | | |
| Frequency range | 0 - 4 GHz | 4 - 7.5 GHz |
| Return loss | ≥ 40 dB | ≥ 36 dB |
| Electrical length | see calibration data | |
| Material and surface | | |
| Inner conductor | CuBe age hardened | gold-plated |
| Outer conductor | copper alloy | gold-plated |
| Insulation | cross linked polystyrene | |
| Standards | IEC 61169-4 | |
| Operating temperature | +18 °C - +28 °C | |
| Storage temperature | -40 °C - +70 °C | |
| Relative humidity | 0 - 95% at 40 °C, non-condensing | |
| Weight | approx. 0.12 kg | |
| Product manual | M36081 | |
| Included in delivery | certificate of calibration, calibration data | |

Calibration data

Calibration data for the common VNAs are included in the delivery. It includes the electrical length to achieve the best possible performance.