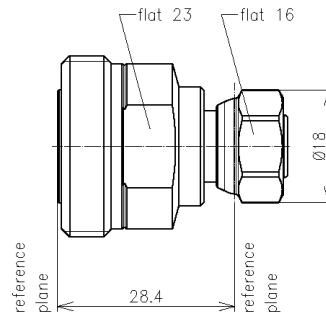


Inter-Series Adapter Type 7-16 Socket to 2.2-5 Plug || BN 225006



all dimensions in millimeter

|   |  |
|---|--|
| Interface type                            | 7-16 socket (50 Ω) per IEC 61169-4<br>2.2-5 plug screw (50 Ω) per IEC 61169-66 |
| Frequency range                           | DC to 6 GHz  |
| VSWR, max. / typ.                         | 1.04 @ DC to 2 GHz<br>1.06 @ 2 to 4 GHz<br>1.10 @ 4 to 6 GHz                   |
| Intermodulation (IM3) @ 2x 20W, max.      | -165 dBc   |
| Inner conductor material / surface finish | copper alloy / silver plated   |
| Outer conductor material / surface finish | copper alloy / CuSnZn plated   |
| Other metal parts / surface finish        | copper alloy / nickel plated   |
| Insulation                                | PTFE   |
| Sealing                                   | silicone rubber  |
| IP protection level                       | IP68 per EN 60529 (barrier and mating face sealed)                             |
| Weight, approx.                           | 70 g   |

SPINNER GmbH  
 This document is proprietary to us.  
 All rights reserved. Any use, transfer, or reproduction of this document  
 or the know-how contained therein requires our express consent.

Template TD-00003F