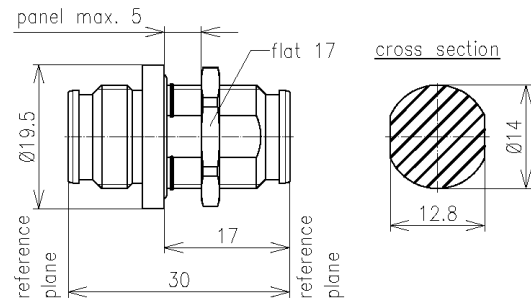


Adaptor Type 2.2-5 Socket to 2.2-5 Socket || BN 225020



all dimensions in millimeter

Interface type	2.2-5 socket (50 Ω) per IEC 61169-66 2.2-5 socket (50 Ω) per IEC 61169-66
Version	bulkhead mounting
Frequency range	DC to 6 GHz
VSWR, max. / typ.	1.04 @ DC to 2 GHz 1.06 @ 2 to 4 GHz 1.10 @ 4 to 6 GHz
Intermodulation (IM3) @ 2x 20W, max.	-165 dBc
Inner conductor material / surface finish	copper alloy / silver plated
Outer conductor material / surface finish	copper alloy / CuSnZn plated
Other metal parts / surface finish	copper alloy / CuSnZn plated
Insulation	PTFE
Sealing	silicone rubber
IP protection level	IP68 per EN 60529 (barrier and mating face sealed)
Weight, approx.	30 g

SPINNER GmbH
 This document is proprietary to us.
 All rights reserved. Any use, transfer, or reproduction of this document
 or the know-how contained therein requires our express consent.