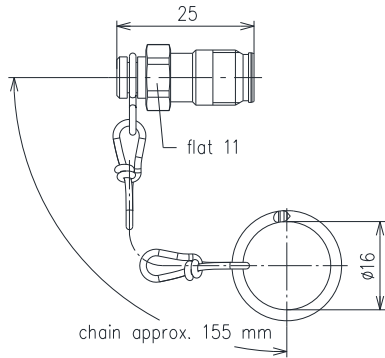


Protective Cap for NEX10 plug || BN 239023



all dimensions in millimeter

Interface type	NEX10® plug per IEC 61169-71
Cap material / surface finish	copper alloy / nickel plated
Other metal parts / surface finish	stainless steel / no finish
IP protection level	IP68 per EN 60529 (interface connected with appropriate gasket)
Weight, approx.	15 g

SPINNER GmbH
 This document is proprietary to us.
 All rights reserved. Any use, transfer, or reproduction of this document
 or the know-how contained therein requires our express consent.

Template TD-00003F