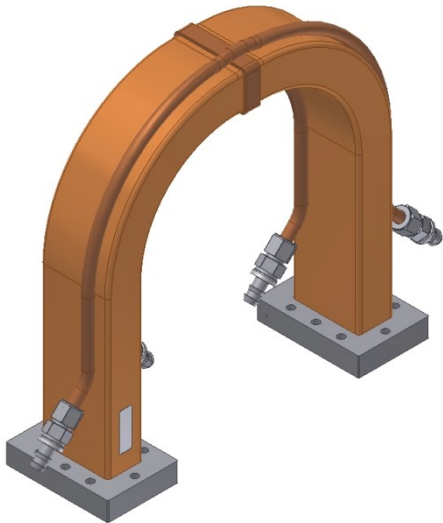


R32 Waveguide E-Bend 180° || BN 267681



Radio frequency characteristics

Interface type / material / surface finish	LIL-flange, stainless steel, copper plated
Frequency range	2.998 GHz ± 10 MHz
Peak power capability	45 MW*
VSWR, max.	1.05
Insertion loss, max.	0.03 dB

- * Conditions:
- Waveguide pressurized with SF₆ at absolute pressure, 4·10⁵ Pa (4 bar) or waveguide evacuated to absolute pressure, max. 1·10⁻⁴ Pa (1·10⁻⁶ mbar)
 - Temperature of waveguide, max. 40 °C
 - Load VSWR, max. ∞
 - Pulse width, max. 15 μs
 - Pulse repetition rate, max. 20 Hz

General mechanical data

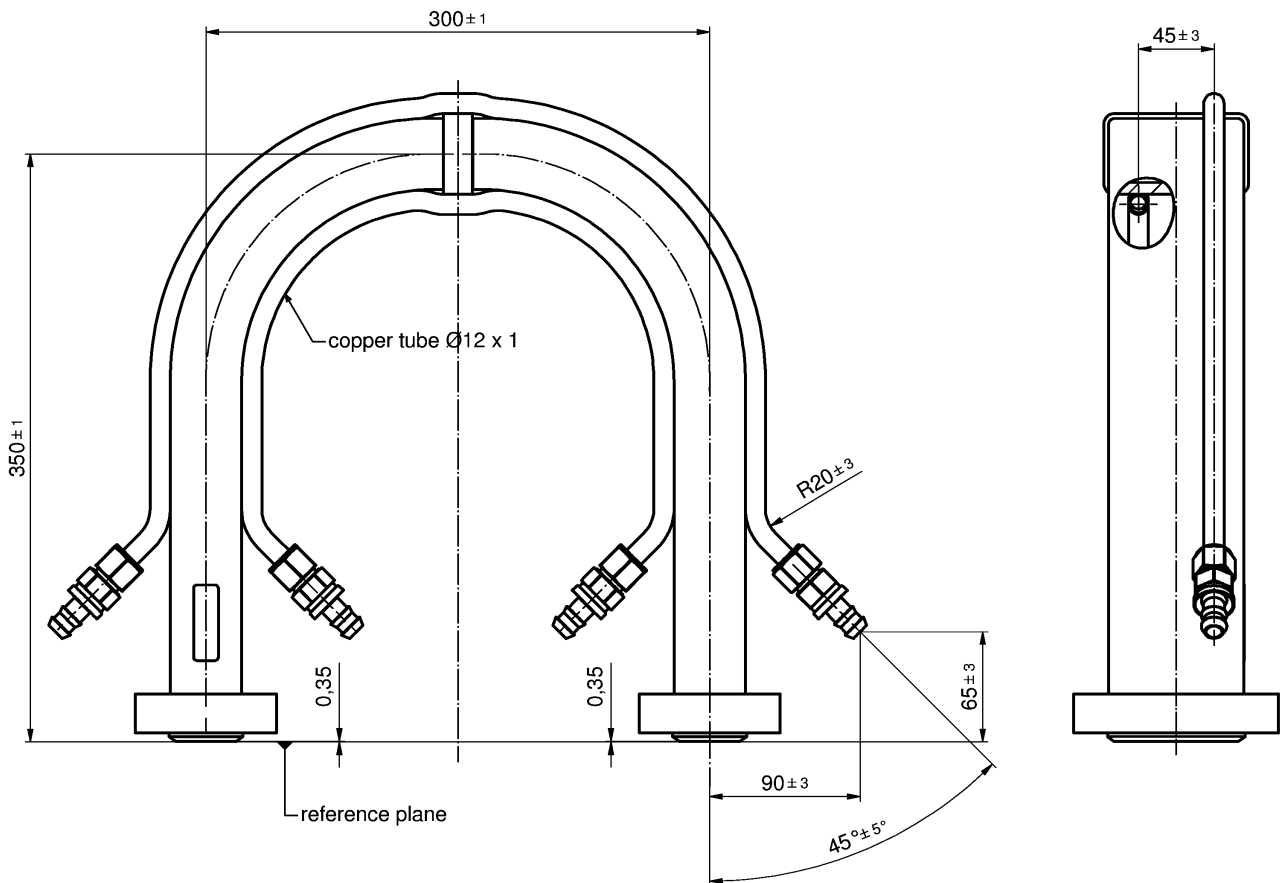
Differential operating pressure, max.	3·10 ⁵ Pa (3 bar)
Leakage rate, max.	1·10 ⁻¹⁰ Pa·m ³ /s (1·10 ⁻⁹ mbar·l/s)
Waveguide material	OFHC Copper
Waveguide surface finish	no finish
Interface water cooling	Swagelok Push-On compatible for hose DN ½"
Bakeable to	170 °C
Weight, approx.	11 kg
Marking	adhesive label

R32 Waveguide E-Bend 180° || BN 267681

General environmental conditions

Operation	
Ambient temperature range	+10 to +50 °C
Relative humidity, max.	95% (condensation not permitted)
IP protection level	IP64 per EN 60529 (all interfaces connected with appropriate gaskets)
Storage	
Ambient temperature range	-20 to +50 °C
Relative humidity, max.	95% (condensation not permitted)

Outline and dimensions



R32 Waveguide E-Bend 180° || BN 267681

