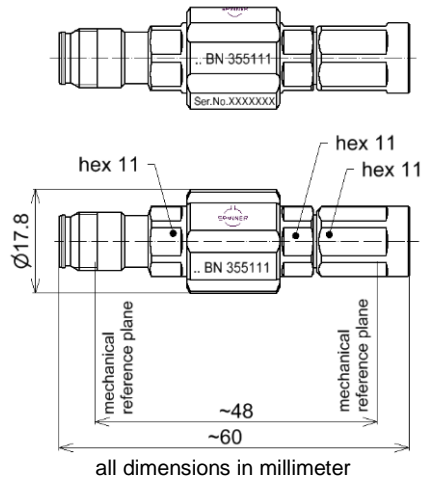


Precision Through || BN 355111R000



Radio frequency characteristics

Interface type	NEX10® plug / socket
Frequency range	DC to 20 GHz
Impedance	50 Ω
Return loss, min.	34 dB @ DC to 2 GHz 28 dB @ 2 to 6 GHz 24 dB @ 6 to 12 GHz 20 dB @ 12 to 20 GHz

Note: NEX10 is a registered trademark of HUBER+SUHNER, Radiall and ROSENBERGER

Mechanical characteristics

Center conductor material / surface finish	CuBe age hardened, copper alloy / gold-plated
Outer conductor material / surface finish	copper alloy, CuBe / gold-plated
Insulation	LCP, cross linked polystyrene
Other metallic parts / surface finish	copper alloy / nickel-plated stainless steel
Weight, approx.	0.13 kg
Marking	laser engraving

Environmental conditions

Operation	
Ambient temperature range	+18 to +28°C
Storage	
Ambient temperature range	-40 to +70°C
Relative humidity	95% (non-condensing)

Scope of delivery and accessories

Scope of delivery	certificate of calibration, calibration data, handling instructions
-------------------	---

SPINNER GmbH
 This document is proprietary to us.
 All rights reserved. Any use, transfer, or reproduction of this document
 or the know-how contained therein requires our express consent.