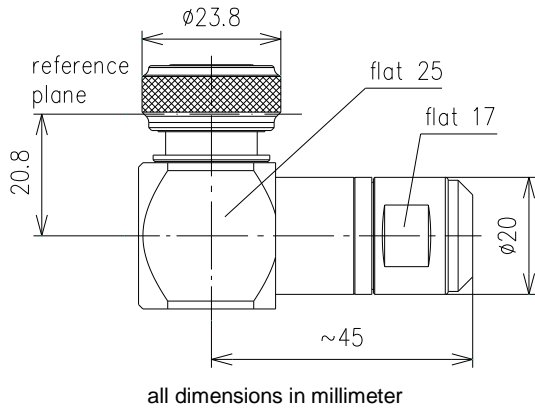


Right Angle Cable Plug for SF 1/2"-50, Type 4.3-10 || BN 431113



Interface type	4.3-10 plug hand screw (50Ω) per IEC 61169-54	
Version	MultiFit™	
VSWR, max.	1.04 @ DC to 1 GHz 1.06 @ 1 to 2.7 GHz 1.13 @ 2.7 to 3.8 GHz	
Frequency range	DC to 3.8 GHz	
Inner conductor material / surface finish	copper alloy / silver plated	
Outer conductor material / surface finish	copper alloy / CuSnZn plated	
Other metal parts / surface finish	copper alloy / nickel plated	
Insulation	PTFE	
Sealing	silicone rubber	
IP protection level	IP68 per EN 60529 (barrier and mating face sealed)	
Cable compatibility	Spinner Acome Andrew Draka Eupen Hansen Hengxin Leoni LS Cable RFS	SPINNERFlex™ SF1/2"-50 HPL50-1/2SF FSJ4-50B RFF 1/2"-50 EC4-50-HF RF 50 1/2"S HRCAY-50-9 FlexLine 1/2" S HFSC 12D SCF 12-50
Installation instructions	M32106	
Weight, approx.	160 g	
Included in delivery	installation instructions	