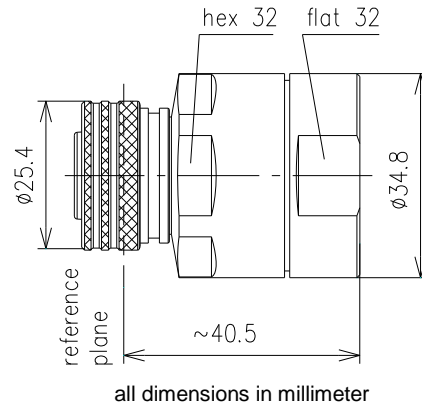


Cable Plug for LF 7/8"-50, Type 4.3-10 || BN 431124



SPINNER GmbH
 This document is proprietary to us.
 All rights reserved. Any use, transfer, or reproduction of this document
 or the know-how contained therein requires our express consent.

Interface type	4.3-10 plug push-pull (50 Ω) per IEC 61169-54	
Version	MultiFit	
Frequency range	DC to 3.80 GHz	
VSWR, max. / typ.	1.02 @ DC to 1.0 GHz 1.03 @ 1.0 to 2.7 GHz 1.08 @ 2.7 to 3.8 GHz	
Inner conductor material / surface finish	copper alloy / silver plated	
Outer conductor material / surface finish	copper alloy / CuSnZn plated	
Other metal parts / surface finish	copper alloy / Sn plated copper alloy / CuSnZn plated copper alloy / nickel plated	
Insulation	PTFE	
Sealing	silicone rubber	
IP protection level	IP68 per EN 60529 (interface connected with appropriate gasket)	
Cable compatibility	SPINNER Acome Andrew Draka Eupen Hansen Hengxin Leoni LS Cable RFS	SPINNERFlex™ LF7/8"-50 HPL50-7/8 ALU, HPL50-7/8 F, HPL50-7/8 LA AL5-50, AVA5-50, VXL5-50 RFA 7/8"-50, RFA 7/8"-50 AI, RFE 7/8"-50 EC5-50-A RF 50 7/8" HCTAY-50-22 FlexLine 7/8" R Low Loss LHF 22D, HFC 22D LCF 78-50 A, LCF 78-50 L, UCF 78-50 A, UCF 78-50 L
Installation instructions / Product manual	M32110	
Weight, approx.	150 g	
Scope of delivery	installation instructions	