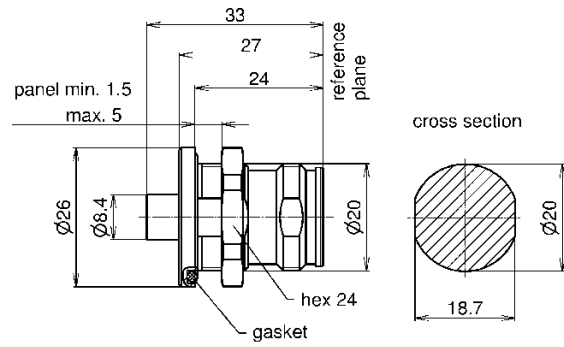


Fixed Socket for RG 401/U, Type 4.3-10 || BN 431501



all dimensions in millimeter

| | |
|--|---|
| Interface type | 4.3-10 socket (50 Ω) per IEC 61169-54 |
| Version | bulkhead mounting, soldered |
| Frequency range | DC to 6 GHz |
| VSWR, max. / typ. | 1.02 @ DC to 1.0 GHz 1.04 @ 1.0 to 2.2 GHz 1.10 @ 2.2 to 3.8 GHz 1.15 @ 3.8 to 6.0 GHz |
| Intermodulation (IM3) @ 2x20 W, max. | -166 dBc |
| Inner conductor material / surface finish | copper alloy / silver plated |
| Outer conductor material / surface finish | copper alloy / silver plated |
| Other metal parts / surface finish | copper alloy / CuSnZn plated |
| Insulation | PTFE |
| Sealing | silicone rubber |
| IP protection level | IP68 per EN 60529 (interface connected with appropriate gasket) |
| Contact captivation torque | 15 Ncm |
| Cable compatibility | RG-401/U, semirigid flexible 250-50 |
| Installation instructions / Product manual | M36296 |
| Weight, approx. | 40 g |
| Scope of delivery | Inner conductor added separately, installation instructions |

SPINNER GmbH | This document is proprietary to us. All rights reserved. Any use, transfer, or reproduction of this document or the know-how contained therein requires our express consent.

Template TD-00003G