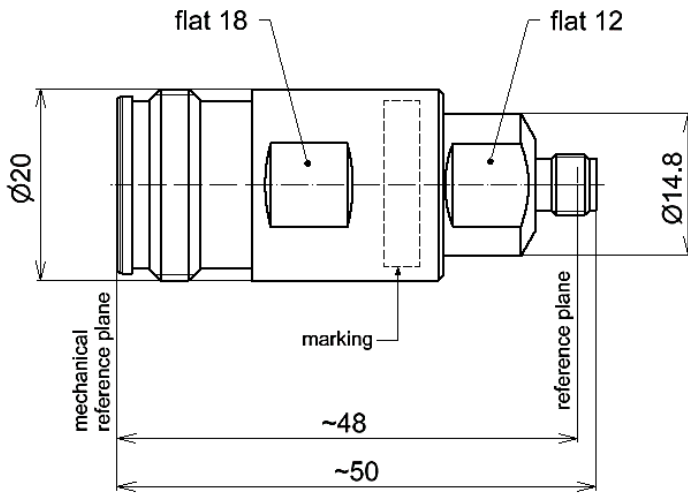


Precision Inter-Series Adaptor Type 4.3-10 socket to 3.5 mm socket || BN 432043



all dimensions in millimeter

Radio frequency characteristics

Interface type	4.3-10 socket per IEC 61169-54 / 3.5 mm socket per IEC 60169-23
Frequency range	DC to 12 GHz
Impedance	50 Ω
Return loss, min.	35 dB @ DC to 4 GHz 30 dB @ 4 to 6 GHz 25 dB @ 6 to 12 GHz

General mechanical data

Center conductor material / surface finish	CuBe age hardened / gold-plated
Outer conductor material / surface finish	copper alloy / gold-plated
Insulation	LCP, PTFE
Weight, approx.	0.08 kg

General environmental conditions

Operation	
Ambient temperature range	+18 to +28°C
Storage	
Ambient temperature range	-40 to +70°C

Scope of delivery and accessories

Scope of delivery	protective caps
-------------------	-----------------