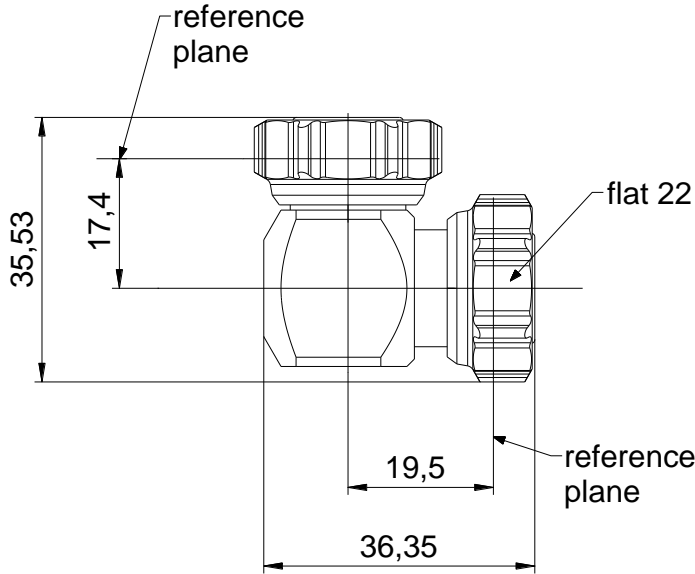


Right Angle Adaptor Plug - Plug 4.3-10



SPINNER GmbH
 This document is proprietary to us.
 All rights reserved. Any use, transfer, or reproduction of this document
 or the know-how contained therein requires our express consent.

Part number	BN 432063		
Connector type	4.3-10 plug / 4.3-10 plug		
Impedance	50 Ω		
Frequency range	DC - 1 GHz	≤ 1 - 2.7 GHz	≤ 2.7 - 3.8 GHz
VSWR	≤ 1.04	≤ 1.06	≤ 1.08
IM – value 3rd order @ 2 x 20 W	< -160 dBc		
Material and surface			
Inner conductor	copper alloy	silver-plated	
Outer conductor	copper alloy	silver-plated	
Other metal parts	copper alloy	bright nickel-plated	
Insulation	PTFE		
Sealing	silicone rubber		
Degree of protection	IP40 (indoor use)		
Standards	IEC 61169-54		

Template TD-00002Y